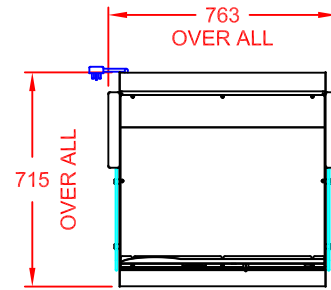
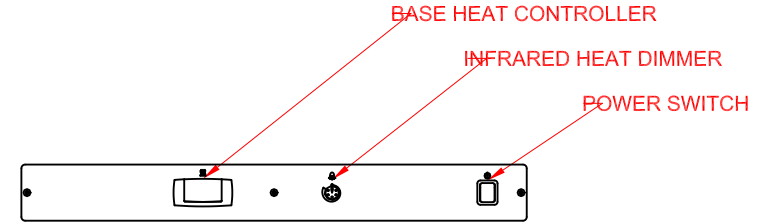


FINISHES:

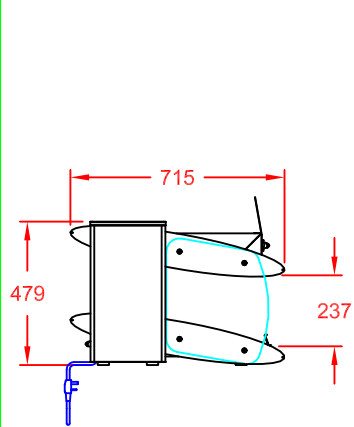
MAIN STRUCTURE: STAINLESS STEEL
 FOOD SAFE POWDER COATED BLACK (RAL 9005)
 ALTERNATIVE RAL COLOUR OPTION (DCOL2)
 END GLASS: 6mm CLEAR TOUGHENED
 WIRE GRIDS: 304 GRADE STAINLESS STEEL



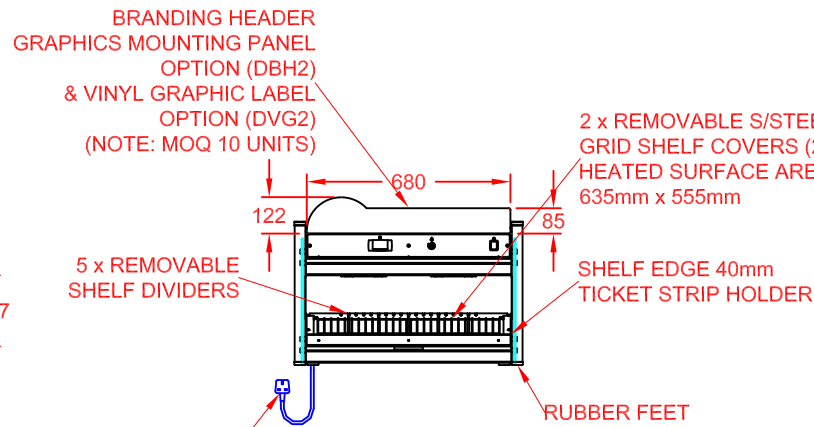
PLAN VIEW



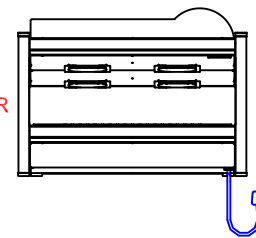
CONTROL PANEL DETAIL



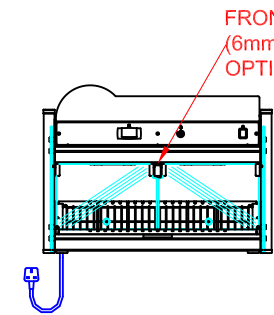
END VIEW



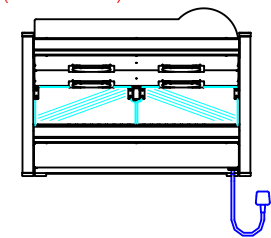
FRONT VIEW
 (CUSTOMER SIDE)



REAR VIEW
 (OPERATOR SIDE)



FRONT VIEW
 (CUSTOMER SIDE)
 c/w FRONT DOOR OPTION



REAR VIEW
 (OPERATOR SIDE)
 c/w FRONT DOOR OPTION

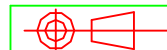
APPROX. UN-CRATED
 WEIGHT OF UNIT: 31Kg



CED FABRICATIONS LTD
 UNITS A1-A4, FALCON COURT
 CLAYTON BUSINESS PARK
 CLAYTON-LE-MOORS
 HYNDBURN
 LANCASHIRE BB5 5JD

This drawing and information herein is confidential to CED Fabrications Ltd. It is issued in confidence that it will not be disclosed to any third party in part or in whole without permission from CED FABRICATIONS Ltd.

© CED FABRICATIONS LTD



DESCRIPTION:

DESIGNLINE SINGLE TIER
 2-1 G_n TABLE TOP HEATED
 WALL SITED MERCHANDISER
 c/w ALL OPTIONS

SCALE: 1 : 25 @ A4 REV No:

PRODUCT CODE: DTTM2SW