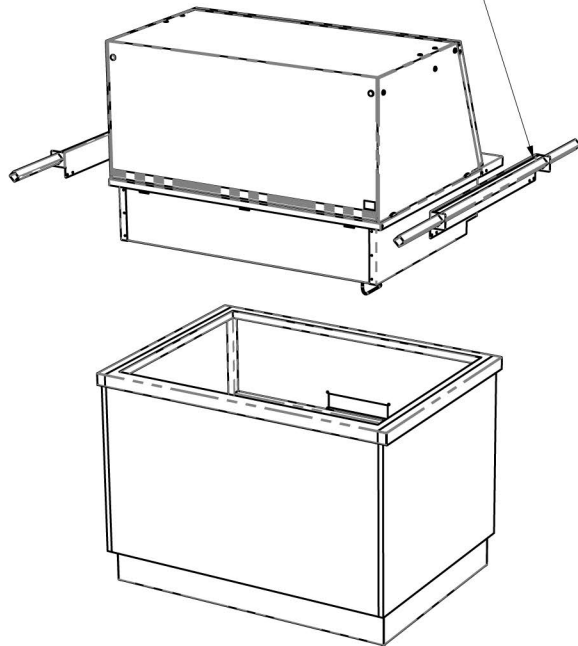


### A) WORKTOP CUT-OUT

Model Ref.	Worktop Cut Out Size (mm)		Model Weight (in Kg)
	Length	Width	
SHDBM2AS	795	825	63
SHDBM3AS	1145	825	73
SHDBM4AS	1495	825	84
SHDBM5AS	1845	825	95

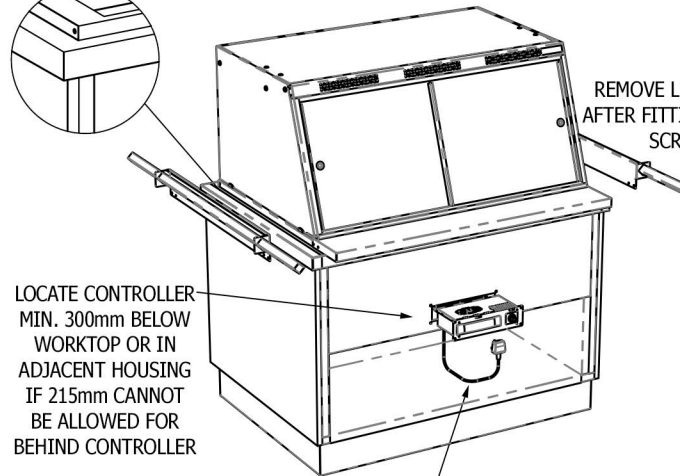
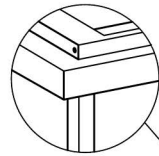
FIX LIFTING BRACKETS TO FRAME END FLANGES USING SCREWS ALREADY IN FLANGES, THEN LOCATE LIFTING BARS INTO SQUARE HOLES.



**FRONT ISOMETRIC**  
(CUSTOMER SIDE)

### B) FITTING INTO COUNTER WORKTOP

SILICON SEAL AROUND DISPLAY FLANGE TO COUNTER WORKTOP



REMOVE LIFTING BRACKETS AFTER FITTING AND REPLACE SCREWS INTO FRAME END FLANGES

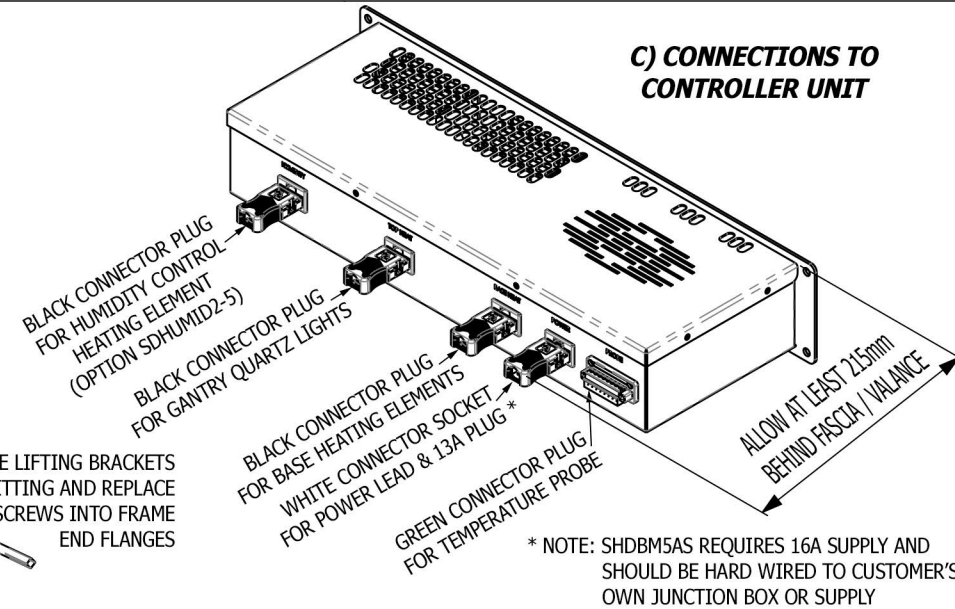
LOCATE CONTROLLER MIN. 300mm BELOW WORKTOP OR IN ADJACENT HOUSING IF 215mm CANNOT BE ALLOWED FOR BEHIND CONTROLLER

CONTROLLER UNIT FITTED WITH 2m LEAD & 13A PLUG \*

**REAR ISOMETRIC**  
(OPERATOR SIDE)

DO NOT SITE CONTROL PANEL ABOVE HEAT SOURCE OVER 40°C i.e. UNINSULATED HOT CUPBOARDS

### C) CONNECTIONS TO CONTROLLER UNIT



\* NOTE: SHDBM5AS REQUIRES 16A SUPPLY AND SHOULD BE HARD WIRED TO CUSTOMER'S OWN JUNCTION BOX OR SUPPLY

### D) CONTROLLER UNIT MOUNTING DETAILS

