

# SELF HELP CHILLED WELL (NO GANTRY) - R290 WITH AIRFLOW KIT AF2 (IN/OUT TO OPERATOR SIDE) - FITTING INSTRUCTIONS

FOR WRAPPED & BOTTLED PRODUCTS ONLY,  
UNWRAPPED PRODUCT DISPLAY MAY  
REQUIRE SNEEZE GUARD PROTECTION (BY OTHERS)

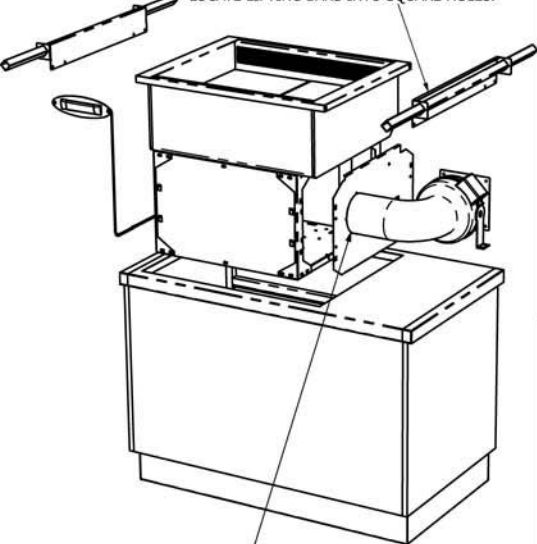
## General Installation Considerations

- 1) Area in which display is to be sited must have a minimum room volume no less than 66 cu m (CW2NGHT), 82 cu m (CW3NGHT), 95 cu m (CW4NGHT) or 122 cu m (CW5&6NGHT).
- 2) Install over a sealed floor or ventilated floor void.
- 3) Do not site the display within 2m of ceiling mounted air conditioning grilles.
- 4) Do not site the display beneath a high level of direct sunlight.
- 5) Display will operate in a 24 hour environment.
- 6) Access to maintain condensing unit should be made via removable fascia panels or doors to customer and operator side of counter.

### A) WORKTOP CUT-OUT

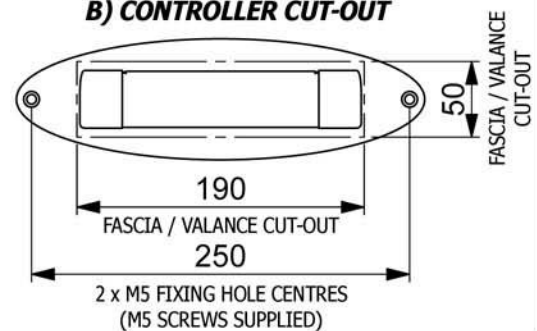
Model Ref.	Worktop Cut Out Size (mm)		Model Weight (in Kg)
	Length	Width	
CW2NGHT + AF2	795	650	89
CW3NGHT + AF2	1145	650	103
CW4NGHT + AF2	1495	650	119
CW5NGHT + AF2	1845	650	128
CW6NGHT + AF2	2195	650	144

FIX LIFTING BRACKETS TO FRAME END FLANGES USING SCREWS ALREADY IN FLANGES, THEN LOCATE LIFTING BARS INTO SQUARE HOLES.

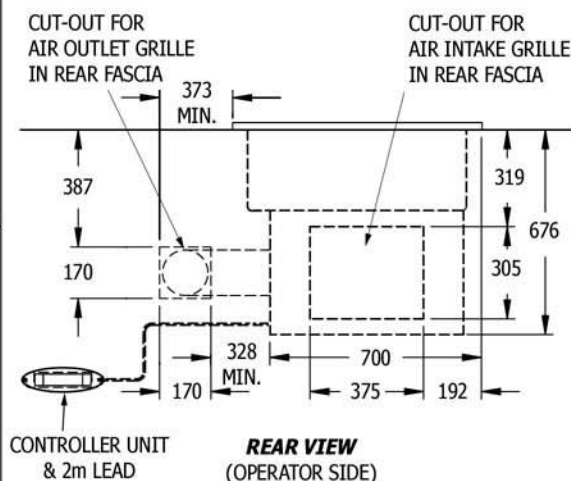


FLEXIBLE DUCTING & IN-LINE FAN SUPPLIED LOOSE.  
**FRONT ISOMETRIC**  
(CUSTOMER SIDE)

### B) CONTROLLER CUT-OUT

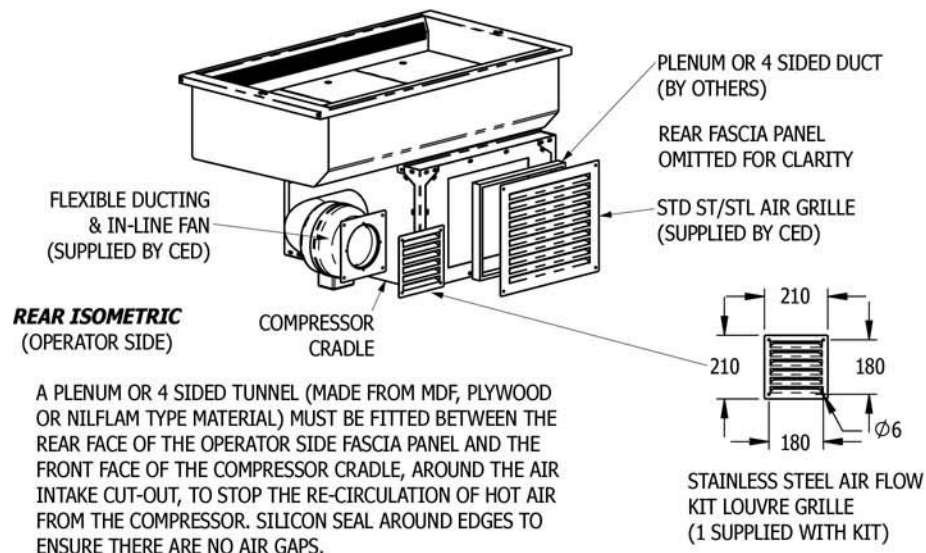


### C) AIR INTAKE & OUTLET CUT-OUTS (OPERATOR SIDE FASCIA PANEL)



**REAR VIEW**  
(OPERATOR SIDE)

### E) AIR INTAKE TUNNEL / PLENUM FITTING (OPERATOR SIDE FASCIA PANEL)



**REAR ISOMETRIC**  
(OPERATOR SIDE)

### D) FITTING INTO COUNTER WORKTOP

RE-ATTACH FLEXIBLE DUCTING & IN-LINE FAN TO SIDE OF COMPRESSOR CRADLE ONCE UNIT HAS BEEN DROPPED INTO PLACE. ELECTRICALLY CONNECT FAN TO CONTROL BOX WITH "KETTLE PLUG"

LOCATE CONTROLLER IN REAR VALANCE / FASCIA (ALLOW 25mm BEHIND MOUNTING PLATE FOR CABLING TO CONTROLLER)

REMOVE LIFTING BRACKETS AFTER FITTING AND REPLACE SCREWS INTO FRAME END FLANGES

PLENUM OR 4 SIDED TUNNEL (BY OTHERS)

REMOVABLE FASCIA PANEL, LIFT-OFF SERVICE COVER OR HINGED DOOR (BY OTHERS)

STANDARD STAINLESS STEEL AIR GRILLE (SUPPLIED BY CED)

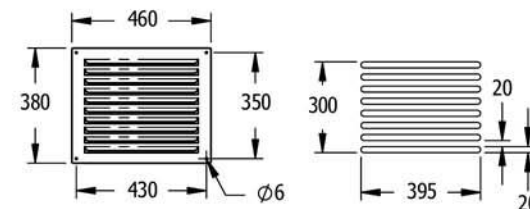
SILICON SEAL AROUND DISPLAY FLANGE TO COUNTER WORKTOP

REMOVABLE FASCIA PANEL, LIFT-OFF SERVICE COVER OR HINGED DOOR (BY OTHERS)

STAINLESS STEEL AIR FLOW KIT GRILLE (SUPPLIED BY CED)

**REAR ISOMETRIC**  
(OPERATOR SIDE)

### F) FITTING OF LOUVRE GRILLES



STANDARD STAINLESS STEEL FASCIA LOUVRE (1 SUPPLIED WITH UNIT)

ALTERNATIVE FASCIA PANEL ROUTING

