

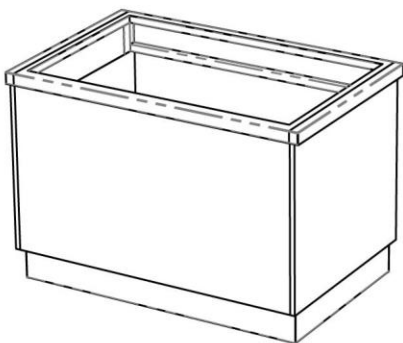
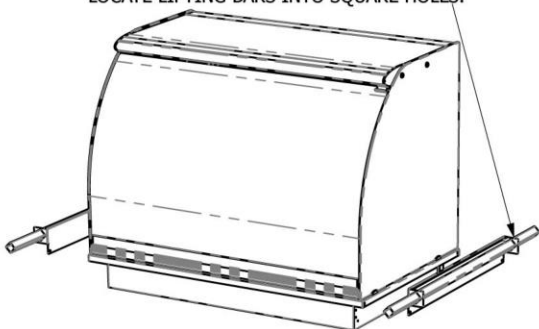


ASSISTED SERVICE AMBIENT PÂTISSERIE - FITTING INSTRUCTIONS

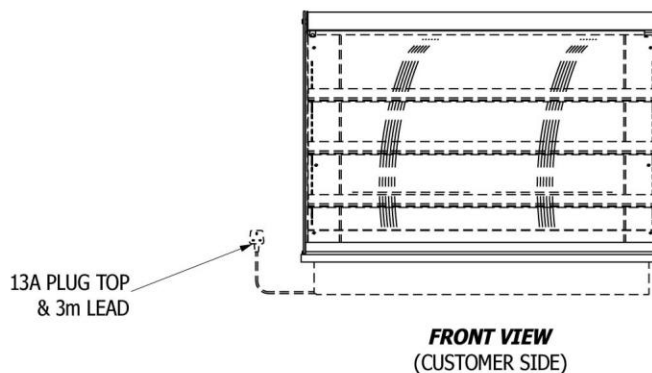
A) WORKTOP CUT-OUT

Model Ref.	Worktop Cut Out Size (mm)		Model Weight (in Kg)
	Length	Width	
PA6ASD	870	740	110
PA9ASD	1170	740	150
PA12ASD	1470	740	190

FIX LIFTING BRACKETS TO FRAME END FLANGES USING SCREWS ALREADY IN FLANGES, THEN LOCATE LIFTING BARS INTO SQUARE HOLES.

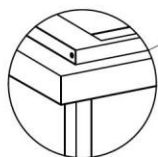


FRONT ISOMETRIC
(CUSTOMER SIDE)

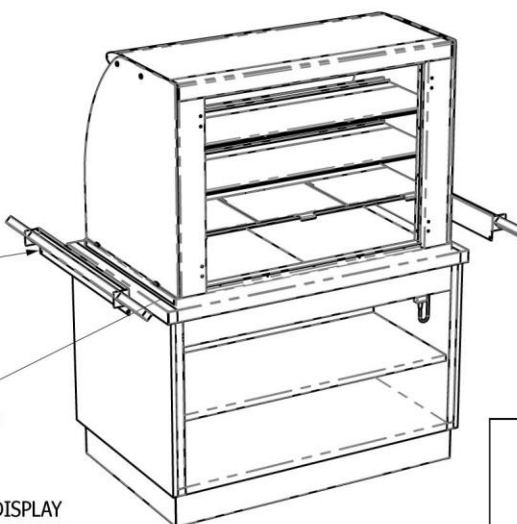


B) FITTING INTO COUNTER WORKTOP

REMOVE LIFTING BRACKETS AFTER FITTING AND REPLACE SCREWS INTO FRAME END FLANGES



SILICON SEAL AROUND DISPLAY FLANGE TO COUNTER WORKTOP



REAR ISOMETRIC
(OPERATOR SIDE)

