

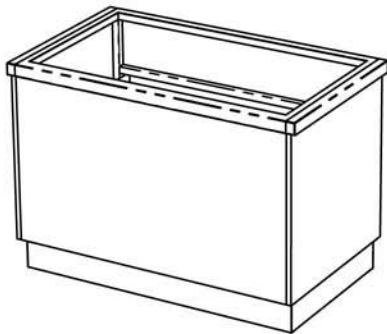
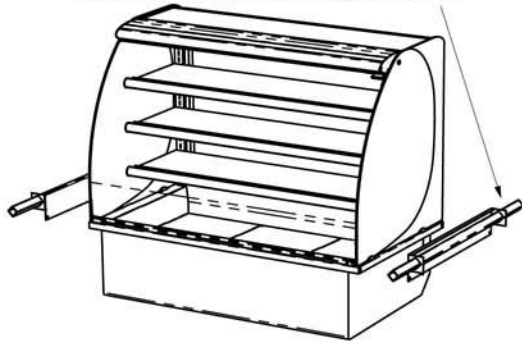
# ASSISTED SERVICE AMBIENT MULTI DECK - FITTING INSTRUCTIONS



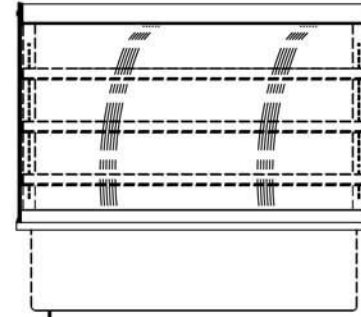
## A) WORKTOP CUT-OUT

Model Ref.	Worktop Cut Out Size (mm)		Model Weight (in Kg)
	Length	Width	
MDA2AS	795	650	78
MDA3AS	1145	650	120
MDA4AS	1495	650	162

FIX LIFTING BRACKETS TO FRAME END FLANGES USING SCREWS ALREADY IN FLANGES, THEN LOCATE LIFTING BARS INTO SQUARE HOLES.



**FRONT ISOMETRIC**  
(CUSTOMER SIDE)

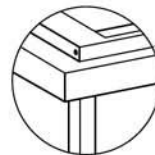
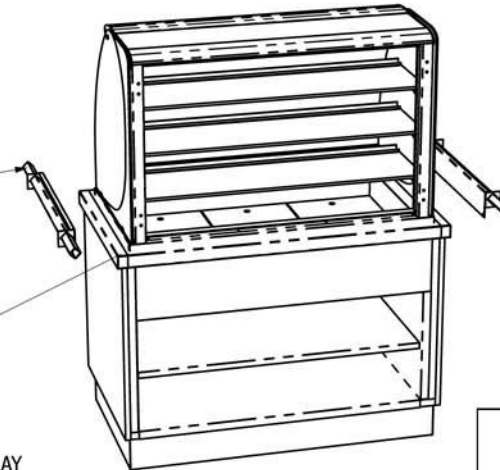


13A PLUG TOP & 2m LEAD

**FRONT VIEW**  
(CUSTOMER SIDE)

## B) FITTING INTO COUNTER WORKTOP

REMOVE LIFTING BRACKETS AFTER FITTING AND REPLACE SCREWS INTO FRAME END FLANGES



SILICON SEAL AROUND DISPLAY FLANGE TO COUNTER WORKTOP

**REAR ISOMETRIC**  
(OPERATOR SIDE)

