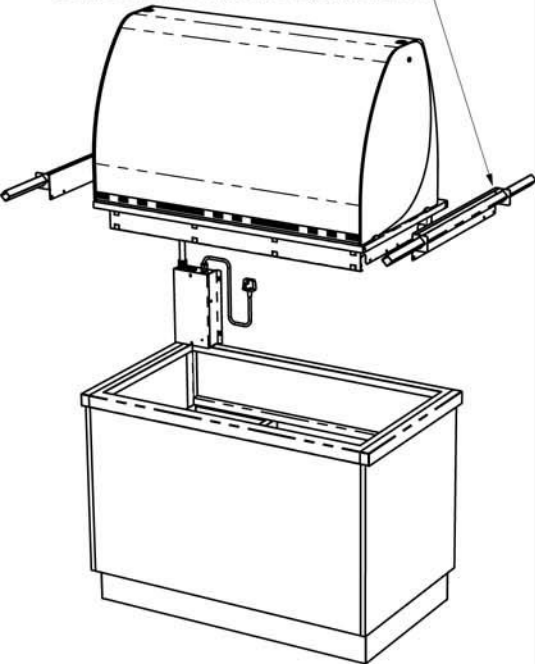




**A) WORKTOP CUT-OUT**

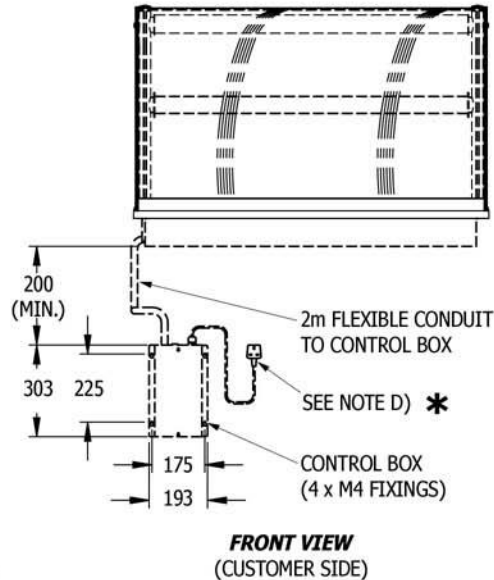
Model Ref.	Worktop Cut Out Size (mm)		Model Weight (in Kg)
	Length	Width	
HP3PS + AS3PS	1145	650	74
HP4PS + AS4PS	1495	650	87

FIX LIFTING BRACKETS TO FRAME END FLANGES USING SCREWS ALREADY IN FLANGES, THEN LOCATE LIFTING BARS INTO SQUARE HOLES.



**FRONT ISOMETRIC (CUSTOMER SIDE)**

**B) LOCATING OF CONTROL BOX**

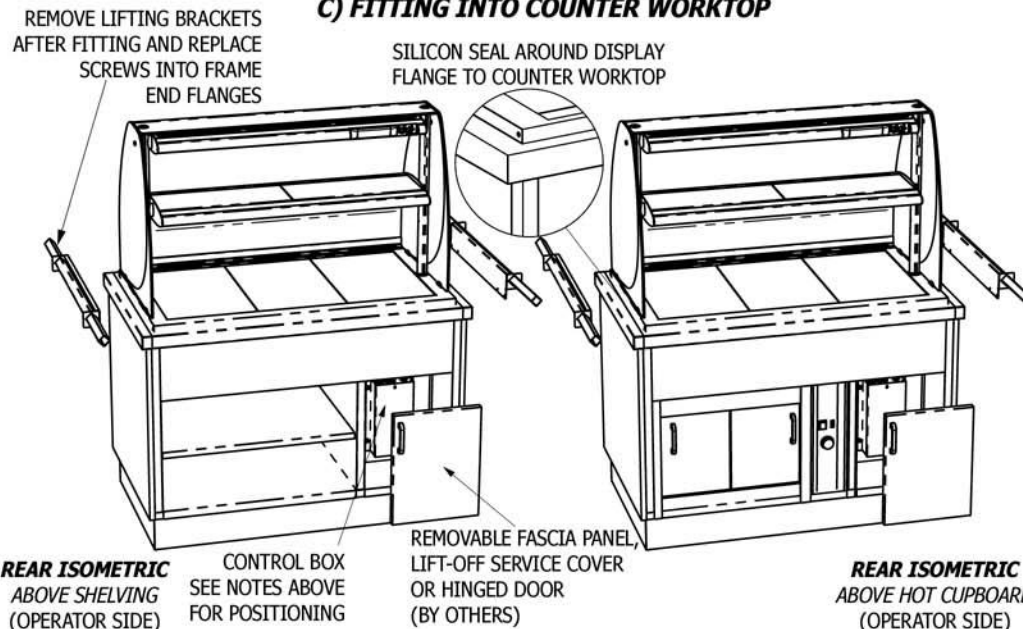


**FRONT VIEW (CUSTOMER SIDE)**

**Recommended Control Box Positioning**  
Site the control box preferably to an upright surface, in an accessible service void, adjacent to or below the display unit (minimum clearance below underside of display unit = 200mm).

**Incorrect Control Box Positioning**  
The control box must not be located  
1) directly to the underside of the display unit,  
2) above a hot cupboard or,  
3) where ambient temperature is above 40°C,  
4) where likely to allow ingress of water i.e. wet floor areas.

**C) FITTING INTO COUNTER WORKTOP**



**REAR ISOMETRIC ABOVE SHELVING (OPERATOR SIDE)**

CONTROL BOX SEE NOTES ABOVE FOR POSITIONING

REMOVABLE FASCIA PANEL, LIFT-OFF SERVICE COVER OR HINGED DOOR (BY OTHERS)

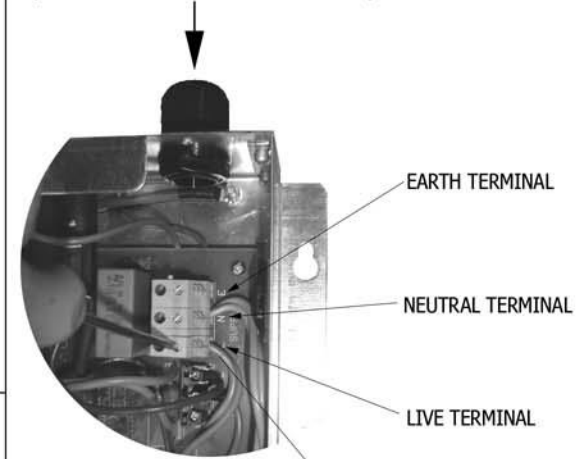
**REAR ISOMETRIC ABOVE HOT CUPBOARD (OPERATOR SIDE)**

**\* D) FOR MODELS ABOVE 3kW**

**INCOMING ELECTRICAL SUPPLY DETAILS**

Model Ref.	Current	Voltage	Power
HP4PS + AS4PS	16A	230V	3.8kW

INCOMING ELECTRICAL SUPPLY (SEE TABLE ABOVE FOR SUPPLY DETAILS)



**CLOSE-UP OF INCOMING WIRING DETAIL**



**INSIDE LAYOUT OF CONTROL BOX**

