

ASSISTED SERVICE CHILLED MULTI LEVEL DELI - R290 - FITTING INSTRUCTIONS WITH AIRFLOW KIT AF2 (IN/OUT TO OPERATOR SIDE)

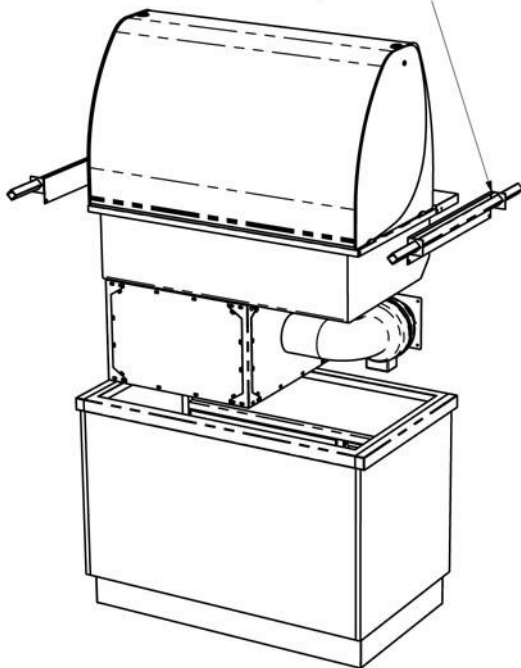
General Installation Considerations

- 1) Area in which display is to be sited must have a minimum room volume no less than 82 cu m (CMDL3HT) or 95 cu m (CMDL4HT).
- 2) Install over a sealed floor or ventilated floor void.
- 3) Do not site the display within 2m of ceiling mounted air conditioning grilles.
- 4) Do not site the display beneath a high level of direct sunlight.
- 5) Display will operate in a 24 hour environment.
- 6) Access to maintain condensing unit should be made via removable fascia panels or doors to customer and operator side of counter.

A) WORKTOP CUT-OUT

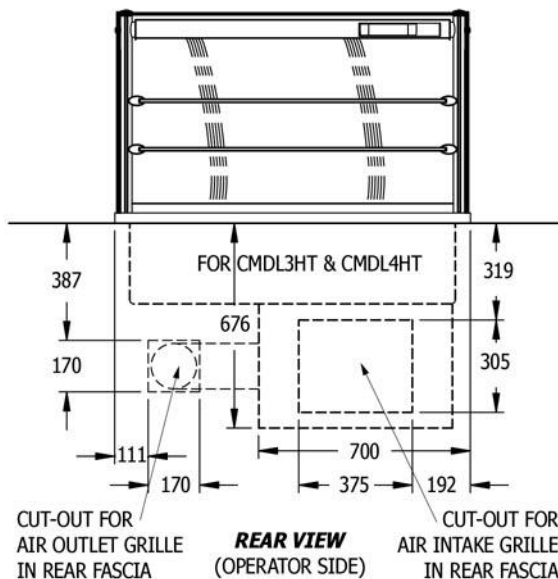
Model Ref.	Worktop Cut Out Size (mm)		Model Weight (in Kg)
	Length	Width	
CMDL3HT + AF2	1145	650	157
CMDL4HT + AF2	1495	650	175

FIX LIFTING BRACKETS TO FRAME END FLANGES USING SCREWS ALREADY IN FLANGES, THEN LOCATE LIFTING BARS INTO SQUARE HOLES.



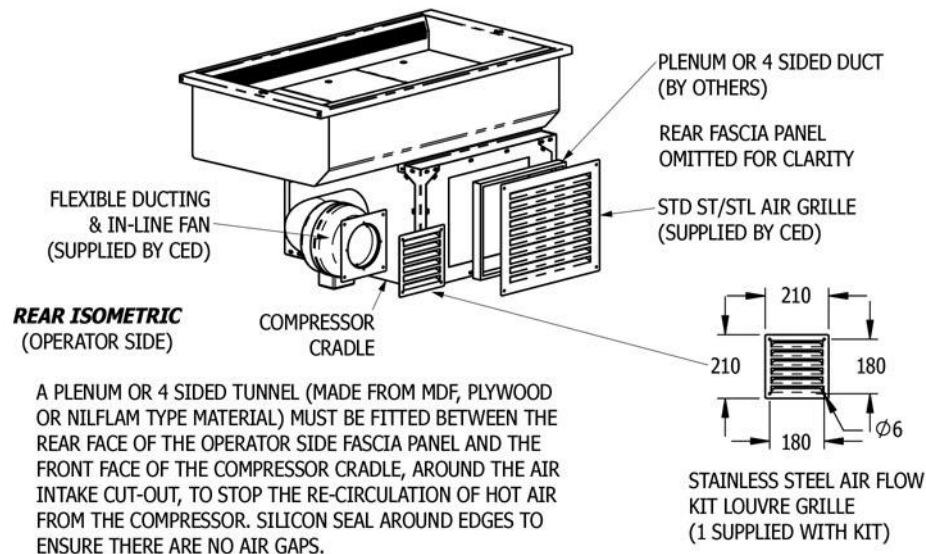
FRONT ISOMETRIC
(CUSTOMER SIDE)

B) AIR INTAKE & OUTLET CUT-OUTS (OPERATOR SIDE FASCIA PANEL)

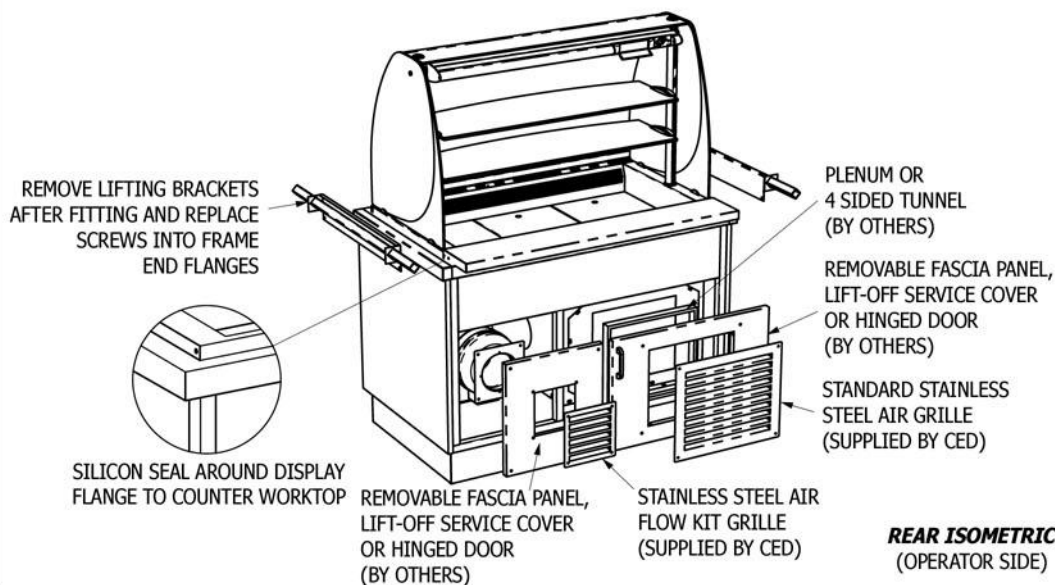


Dimensions: 387, 170, 111, 170, 676, 700, 375, 192, 319, 305.

D) AIR INTAKE TUNNEL / PLENUM FITTING (OPERATOR SIDE FASCIA PANEL)



C) FITTING INTO COUNTER WORKTOP



E) FITTING OF LOUVRE GRILLES

