

ASSISTED SERVICE CHILLED MULTI DECK (REAR DOORS) - R290 - FITTING INSTRUCTIONS WITH AIRFLOW KIT AF2 (IN/OUT TO OPERATOR SIDE)



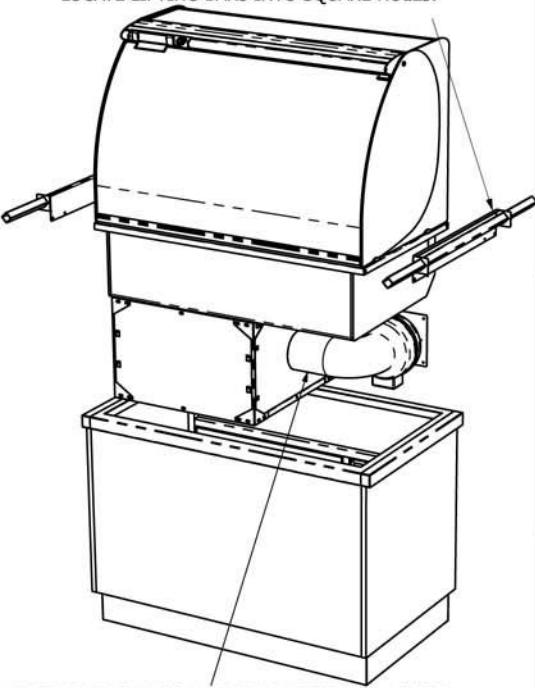
General Installation Considerations

- Area in which display is to be sited must have a minimum room volume no less than 109 cu m (MDR2ASHT & MDR3ASHT), 122 cu m (MDR4ASHT) or 132 cu m (MRD5ASHT).
- Install over a sealed floor or ventilated floor void.
- Do not site the display within 2m of ceiling mounted air conditioning grilles.
- Do not site the display beneath a high level of direct sunlight.
- Display will operate in a 24 hour environment.
- Access to maintain condensing unit should be made via removable fascia panels or doors to customer and operator side of counter.

A) WORKTOP CUT-OUT

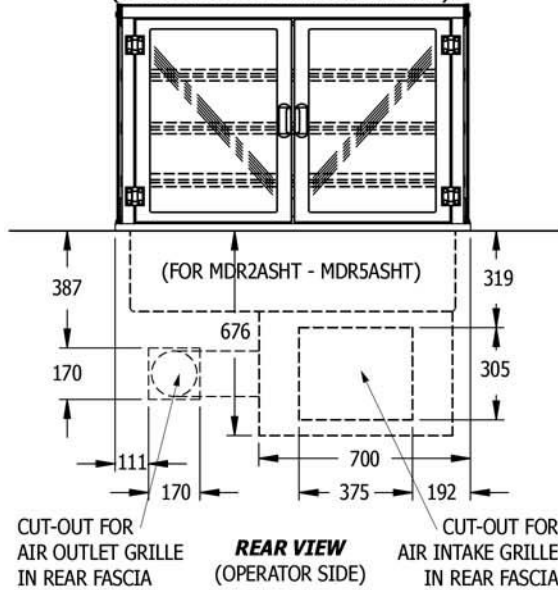
Model Ref.	Worktop Cut Out Size (mm)		Model Weight (in Kg)
	Length	Width	
MDR2ASHT + AF2	795	650	160
MDR3ASHT + AF2	1145	650	180
MDR4ASHT + AF2	1495	650	222
MDR5ASHT + AF2	1845	650	249

FIX LIFTING BRACKETS TO FRAME END FLANGES USING SCREWS ALREADY IN FLANGES, THEN LOCATE LIFTING BARS INTO SQUARE HOLES.

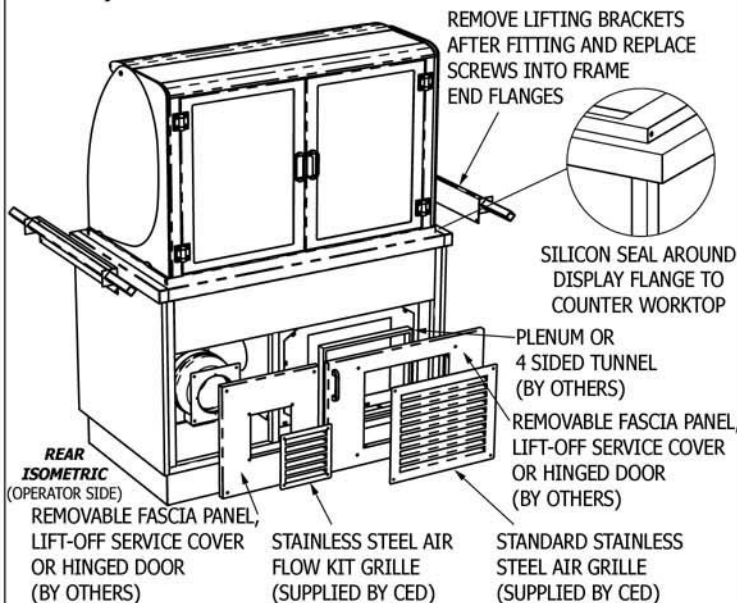


FRONT ISOMETRIC
(CUSTOMER SIDE)

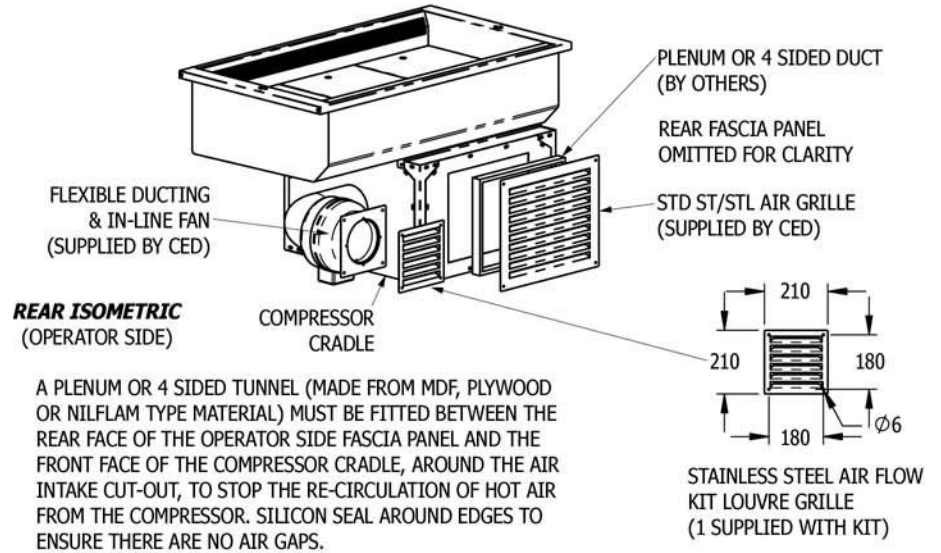
B) AIR INTAKE & OUTLET CUT-OUTS (OPERATOR SIDE FASCIA PANEL)



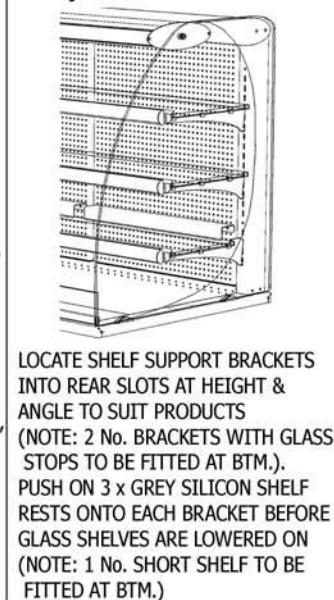
C) FITTING INTO COUNTER WORKTOP



E) AIR INTAKE TUNNEL / PLENUM FITTING (OPERATOR SIDE FASCIA PANEL)



D) FITTING SHELVES



F) FITTING OF LOUVRE GRILLES

