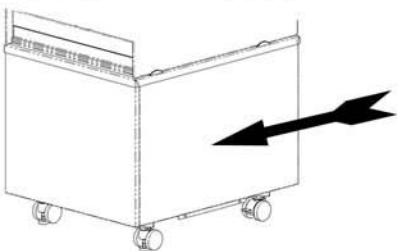


General Installation Considerations

- 1) Area in which display is to be sited must have a minimum room volume no less than 109 cu m (PC12ASHT+AF12) or 132 cu m (PC20ASHT+AF20).
- 2) Install over a sealed floor or ventilated floor void.
- 3) Do not site the display within 2m of ceiling mounted air conditioning grilles.
- 4) Do not site the display beneath a high level of direct sunlight.
- 5) Display will operate in a 24 hour environment.
- 6) Access to maintain condensing unit should be made via removable fascia panels or doors to customer and operator side of counter.

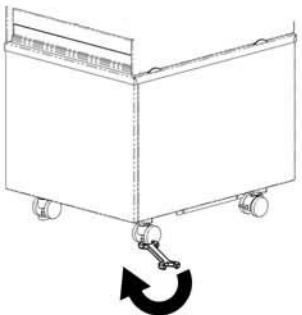
FREE-STANDING APPLICATION

A) ROLL UNIT INTO POSITION
UNIT SUPPLIED WITH CASTORS



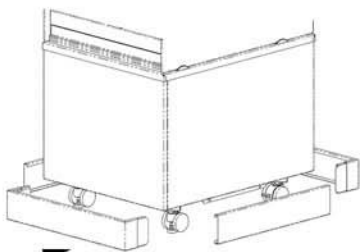
B) ADJUST UNIT HEIGHT

USING SUPPLIED SPANNER
(ENSURE THE HALF NUT IS WOUND FULLY UPWARDS)



C) FIT KICK PLINTH

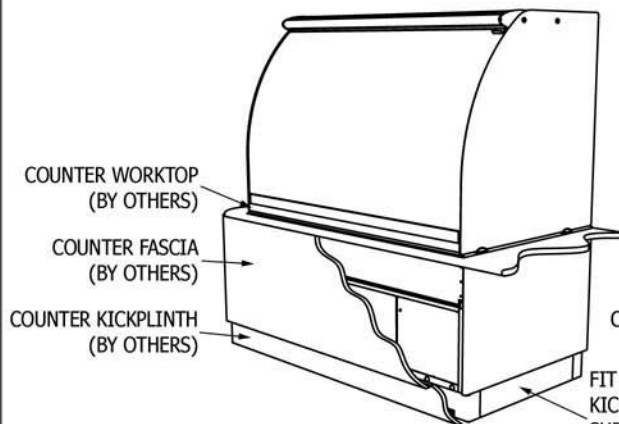
FRONT & REAR LOCATES WITH MAGNETS



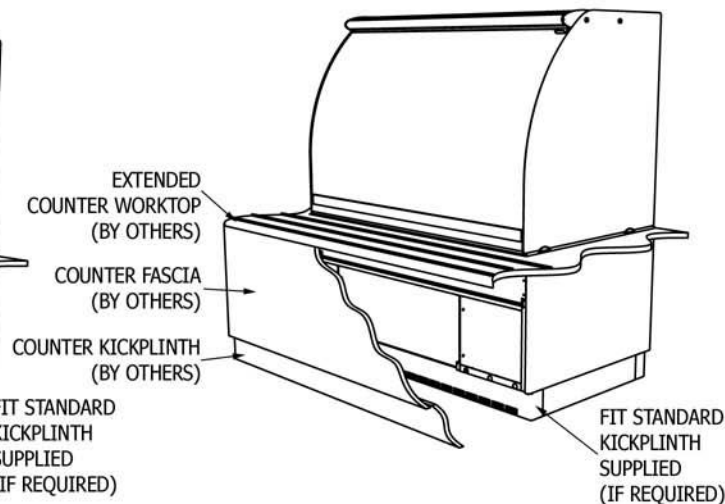
NOTE: KICKPLINTH SUPPLIED AS STANDARD IS SUITABLE FOR LOWEST ADJUSTED UNIT HEIGHT

COUNTER LOCATED APPLICATION

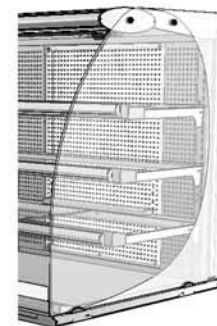
FLUSH FITTING FASCIA PANEL



STAND-OFF FASCIA PANEL



FITTING SHELVES



LOCATE SHELF SUPPORT BRACKETS INTO REAR SLOTS AT HEIGHT & ANGLE TO SUIT PRODUCTS (NOTE: SHORTEST BRACKETS AT TOP AND LONGEST BRACKETS AT BTM). REST GLASS SHELVES ONTO RUBBER BUMPERS ON SHELF SUPPORTS. (NOTE HALF-LENGTH SHELVES ARE LOCATED ON BOTTOM TO ALLOW FOR TALLER BOTTLES ON DECK)