

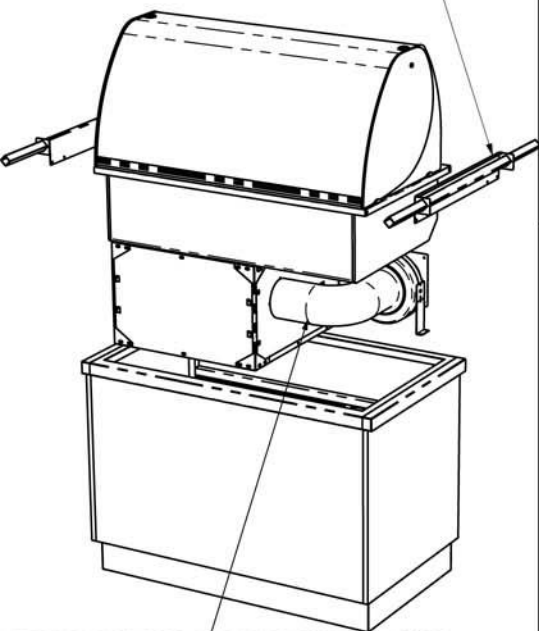
General Installation Considerations

- 1) Area in which display is to be sited must have a minimum room volume no less than 66 cu m (CW2HT), 82 cu m (CW3HT), 95 cu m (CW4HT) or 122 cu m (CW5HT & CW6HT).
- 2) Install over a sealed floor or ventilated floor void.
- 3) Do not site the display within 2m of ceiling mounted air conditioning grilles.
- 4) Do not site the display beneath a high level of direct sunlight.
- 5) Display will operate in a 24 hour environment.
- 6) Access to maintain condensing unit should be made via removable fascia panels or doors to customer and operator side of counter.

A) WORKTOP CUT-OUT

Model Ref.	Worktop Cut Out Size (mm)		Model Weight (in Kg)
	Length	Width	
CW2HT + AS2 + AF2	795	650	110
CW3HT + AS3 + AF2	1145	650	128
CW4HT + AS4 + AF2	1495	650	150
CW5HT + AS5 + AF2	1845	650	165
CW6HT + AS6 + AF2	2195	650	182

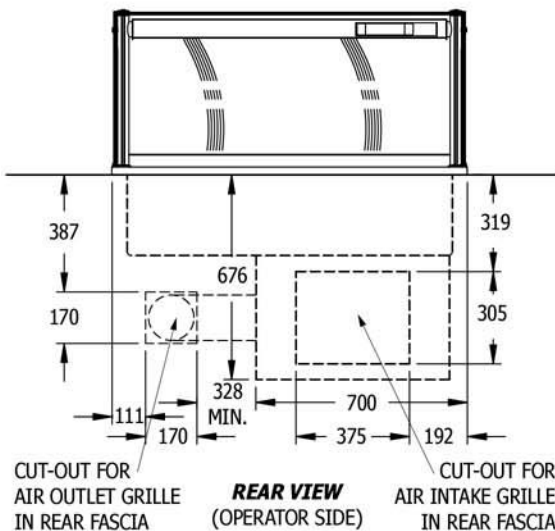
FIX LIFTING BRACKETS TO FRAME END FLANGES USING SCREWS ALREADY IN FLANGES, THEN LOCATE LIFTING BARS INTO SQUARE HOLES.



FRONT ISOMETRIC
(CUSTOMER SIDE)

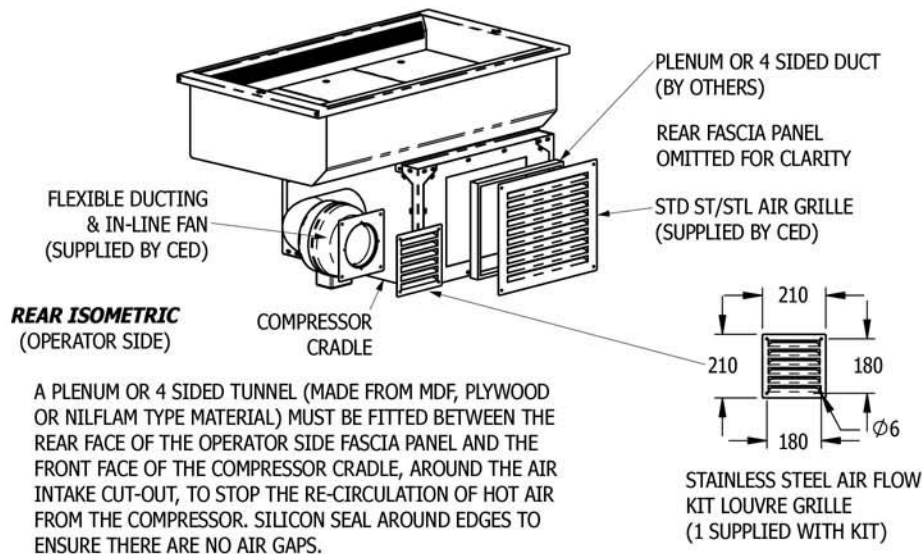
**B) AIR INTAKE & OUTLET CUT-OUTS
(OPERATOR SIDE FASCIA PANEL)**

FOR CW2HT, CW3HT, CW4HT, CW5HT & CW6HT

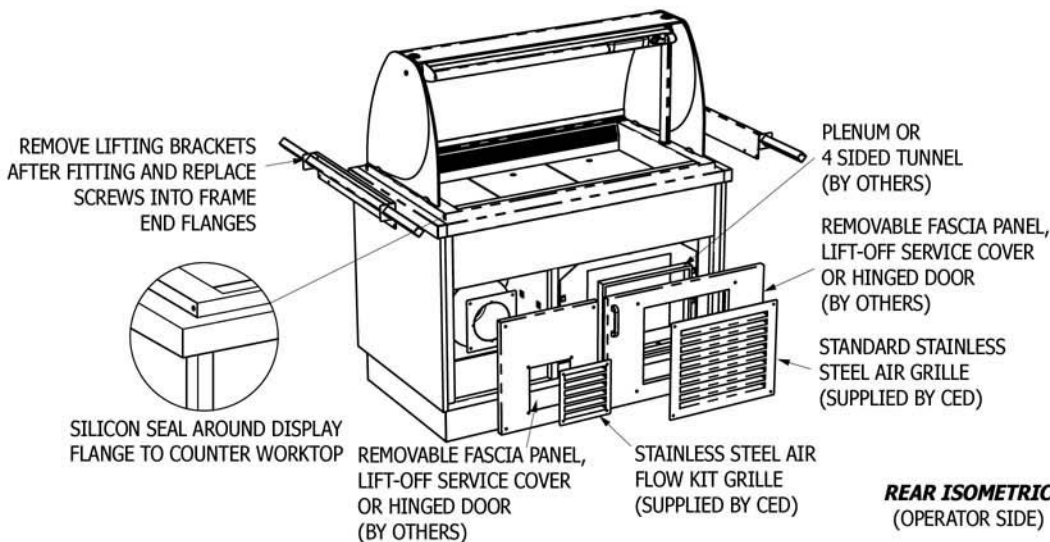


387, 170, 676, 319, 305, 111, 170, 328 MIN., 700, 375, 192

**D) AIR INTAKE TUNNEL / PLENUM FITTING
(OPERATOR SIDE FASCIA PANEL)**



C) FITTING INTO COUNTER WORKTOP



E) FITTING OF LOUVRE GRILLES

