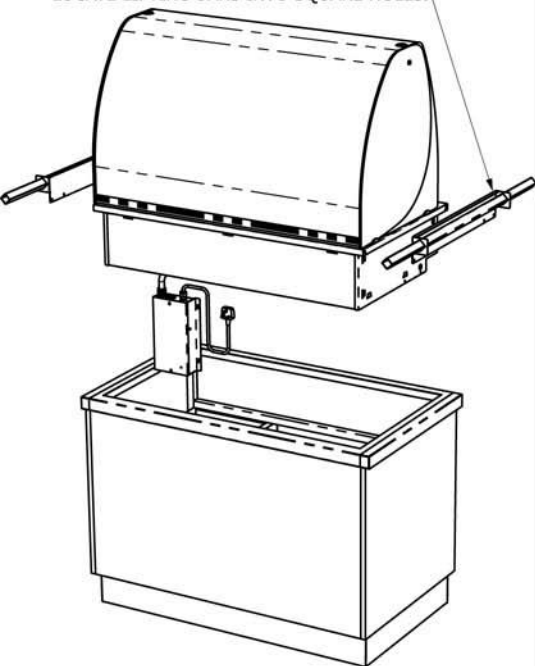




## A) WORKTOP CUT-OUT

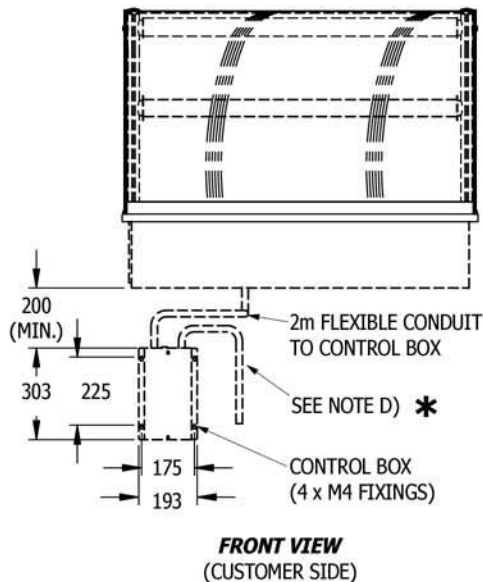
Model Ref.	Worktop Cut Out Size (mm)		Model Weight (in Kg)
	Length	Width	
HBM3PS + AS3PS	1145	650	74
HBM4PS + AS4PS	1495	650	87

FIX LIFTING BRACKETS TO FRAME END FLANGES USING SCREWS ALREADY IN FLANGES, THEN LOCATE LIFTING BARS INTO SQUARE HOLES.



**FRONT ISOMETRIC**  
(CUSTOMER SIDE)

## B) LOCATING OF CONTROL BOX

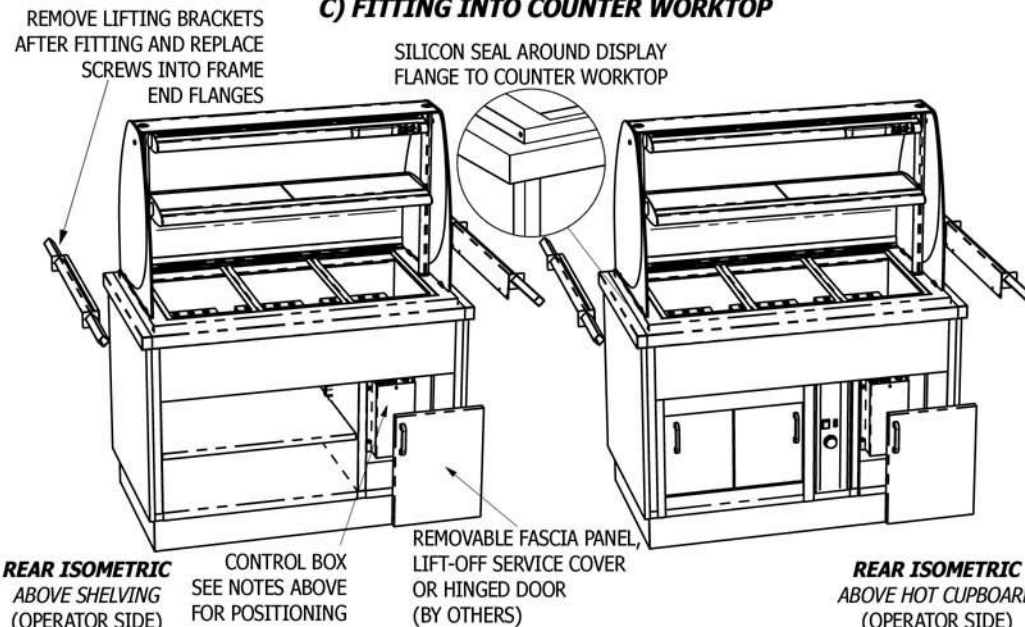


**FRONT VIEW**  
(CUSTOMER SIDE)

**Recommended Control Box Positioning**  
Site the control box preferably to an upright surface, in an accessible service void, adjacent to or below the display unit (minimum clearance below underside of display unit = 200mm).

**Incorrect Control Box Positioning**  
The control box must not be located  
1) directly to the underside of the display unit,  
2) above a hot cupboard or,  
3) where ambient temperature is above 40°C,  
4) where likely to allow ingress of water i.e. wet floor areas.

## C) FITTING INTO COUNTER WORKTOP



**REAR ISOMETRIC**  
ABOVE SHELVING  
(OPERATOR SIDE)

CONTROL BOX  
SEE NOTES ABOVE  
FOR POSITIONING

REMOVABLE FASCIA PANEL,  
LIFT-OFF SERVICE COVER  
OR HINGED DOOR  
(BY OTHERS)

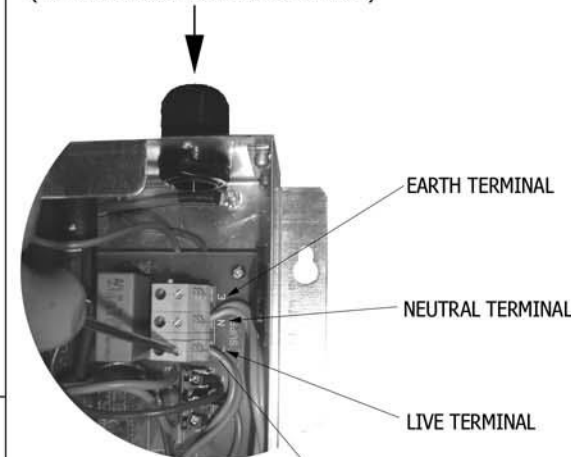
**REAR ISOMETRIC**  
ABOVE HOT CUPBOARD  
(OPERATOR SIDE)

## \* D) FOR MODELS ABOVE 3kW

### INCOMING ELECTRICAL SUPPLY DETAILS

Model Ref.	Current	Voltage	Power
HBM3PS + AS3PS	16A	230V	3.3kW
HBM4PS + AS4PS	20A	230V	4.4kW

INCOMING ELECTRICAL SUPPLY  
(SEE TABLE ABOVE FOR SUPPLY DETAILS)



**CLOSE-UP OF INCOMING  
WIRING DETAIL**



**INSIDE LAYOUT  
OF CONTROL BOX**

