

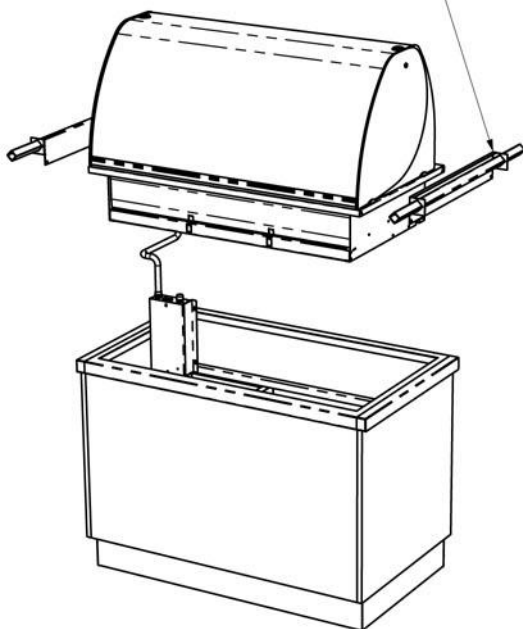


# ASSISTED SERVICE HEATED DELI - FITTING INSTRUCTIONS

## A) WORKTOP CUT-OUT

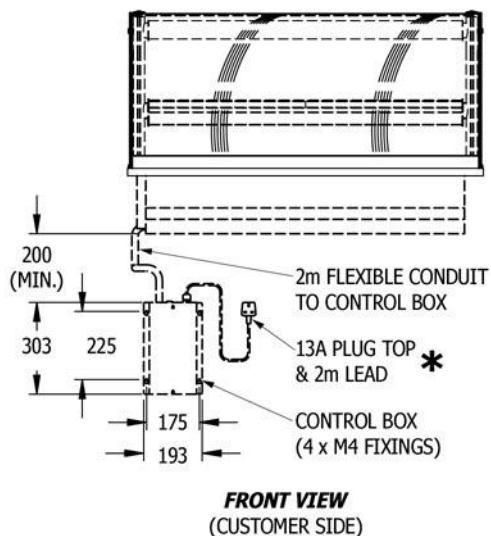
Model Ref.	Worktop Cut Out Size (mm)		Model Weight (in Kg)
	Length	Width	
HDL2	795	650	85
HDL3	1145	650	102
HDL4	1495	650	118
HDL5	1845	650	128

FIX LIFTING BRACKETS TO FRAME END FLANGES USING SCREWS ALREADY IN FLANGES, THEN LOCATE LIFTING BARS INTO SQUARE HOLES.



**FRONT ISOMETRIC**  
(CUSTOMER SIDE)

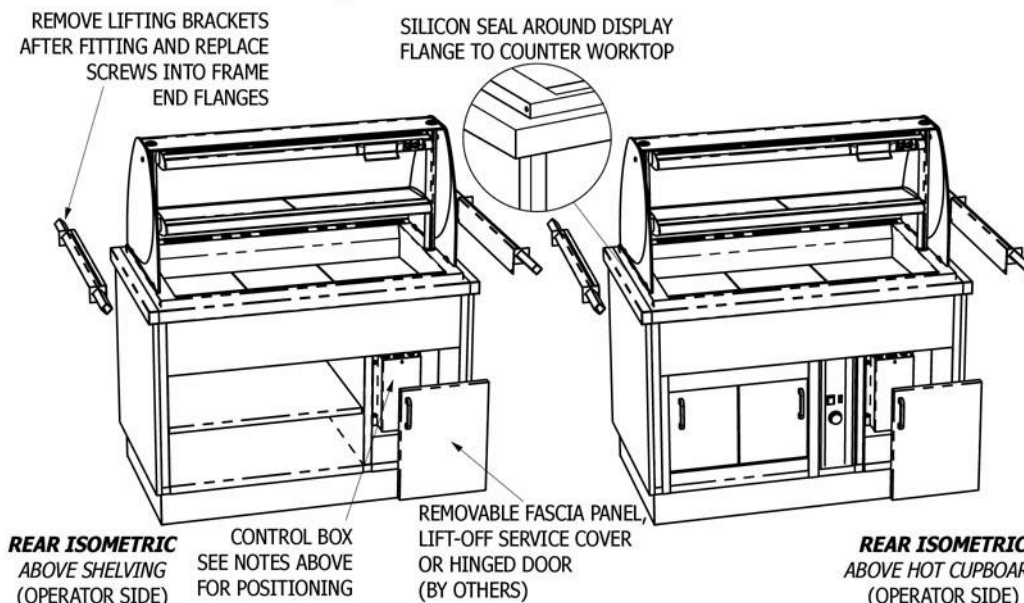
## B) LOCATING OF CONTROL BOX



**Recommended Control Box Positioning**  
Site the control box preferably to an upright surface, in an accessible service void, adjacent to or below the display unit (minimum clearance below underside of display unit = 200mm).

**Incorrect Control Box Positioning**  
The control box must not be located  
1) directly to the underside of the display unit,  
2) above a hot cupboard or,  
3) where ambient temperature is above 40°C,  
4) where likely to allow ingress of water i.e. wet floor areas.

## C) FITTING INTO COUNTER WORKTOP

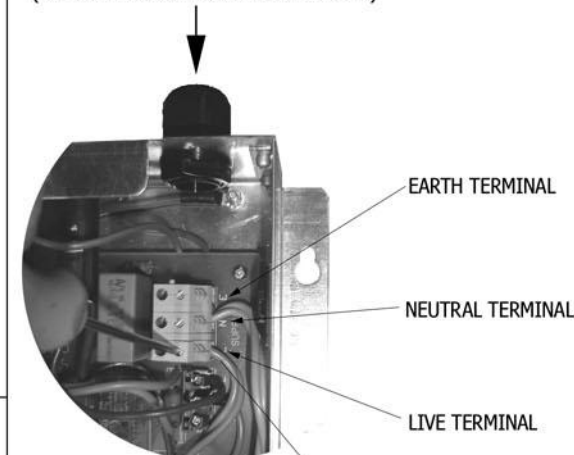


## \* D) FOR MODELS ABOVE 3kW

### INCOMING ELECTRICAL SUPPLY DETAILS

Model Ref.	Current	Voltage	Power
HDL4	20A	230V	3.8kW
HDL5	32A	230V	4.8kW

INCOMING ELECTRICAL SUPPLY  
(SEE TABLE ABOVE FOR SUPPLY DETAILS)



**CLOSE-UP OF INCOMING WIRING DETAIL**



**INSIDE LAYOUT OF CONTROL BOX**

