

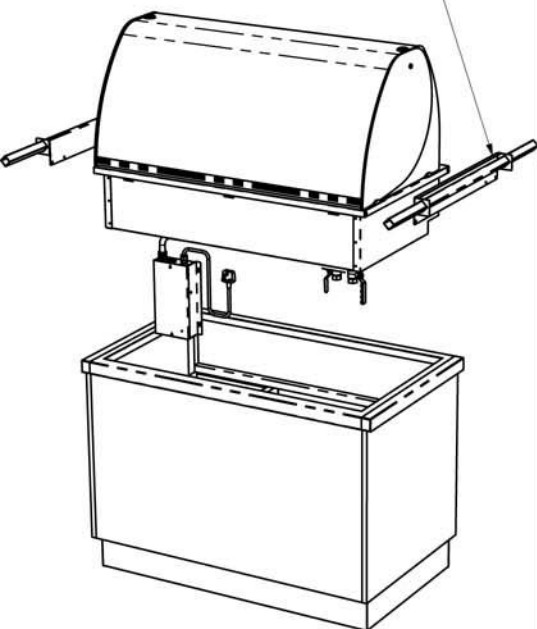


ASSISTED SERVICE WET WELL BAIN MARIE - FITTING INSTRUCTIONS

A) WORKTOP CUT-OUT

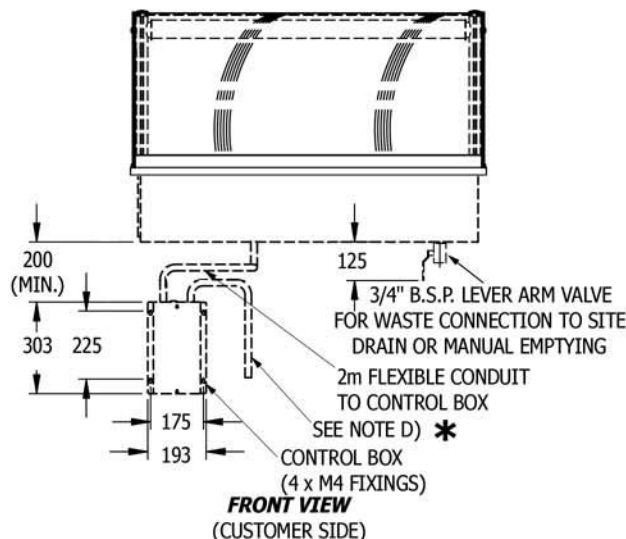
Model Ref.	Worktop Cut Out Size (mm)		Model Weight (in Kg)
	Length	Width	
HBMW2 + AS2	795	650	46
HBMW3 + AS3	1145	650	60
HBMW4 + AS4	1495	650	72
HBMW5 + AS5	1845	650	86
HBMW6 + AS6	2195	650	99

FIX LIFTING BRACKETS TO FRAME END FLANGES USING SCREWS ALREADY IN FLANGES, THEN LOCATE LIFTING BARS INTO SQUARE HOLES.



FRONT ISOMETRIC (CUSTOMER SIDE)

B) LOCATING OF CONTROL BOX



Recommended Control Box Positioning
Site the control box preferably to an upright surface, in an accessible service void, adjacent to or below the display unit (minimum clearance below underside of display unit = 200mm).

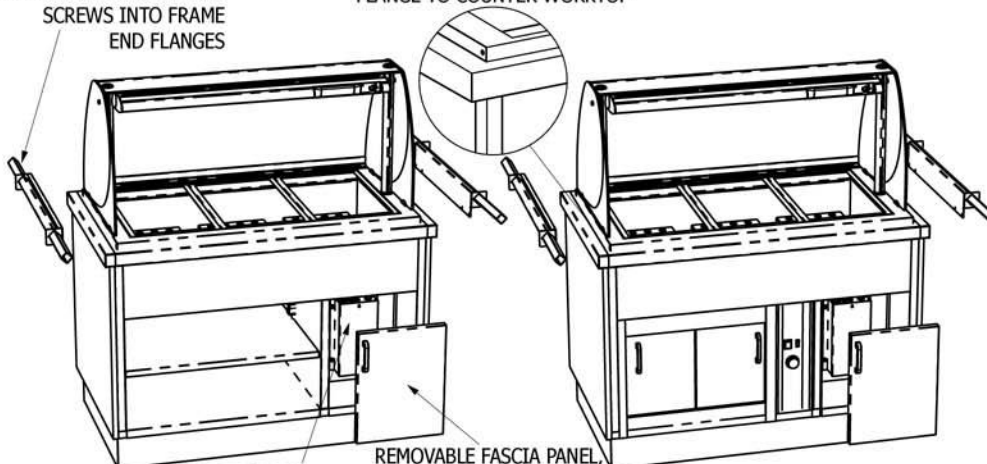
Incorrect Control Box Positioning

- The control box must not be located
- 1) directly to the underside of the display unit,
 - 2) above a hot cupboard or,
 - 3) where ambient temperature is above 40°C,
 - 4) where likely to allow ingress of water i.e. wet floor areas.

C) FITTING INTO COUNTER WORKTOP

REMOVE LIFTING BRACKETS AFTER FITTING AND REPLACE SCREWS INTO FRAME END FLANGES

SILICON SEAL AROUND DISPLAY FLANGE TO COUNTER WORKTOP



REAR ISOMETRIC ABOVE SHELVE (OPERATOR SIDE)

CONTROL BOX SEE NOTES ABOVE FOR POSITIONING

REMOVABLE FASCIA PANEL, LIFT-OFF SERVICE COVER OR HINGED DOOR (BY OTHERS)

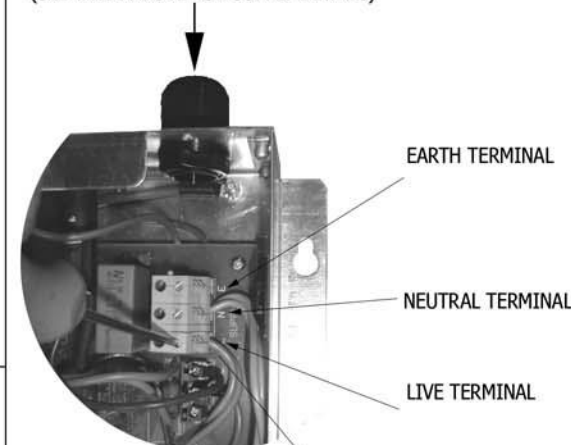
REAR ISOMETRIC ABOVE HOT CUPBOARD (OPERATOR SIDE)

* D) FOR MODELS ABOVE 3kW

INCOMING ELECTRICAL SUPPLY DETAILS

Model Ref.	Current	Voltage	Power
HBMW3 + AS3	16A	230V	3.2kW
HBMW4 + AS4	20A	230V	4.2kW
HBMW5 + AS5	32A	230V	5.3kW
HBMW6 + AS6	32A	230V	6.3kW

INCOMING ELECTRICAL SUPPLY (SEE TABLE ABOVE FOR SUPPLY DETAILS)



CLOSE-UP OF INCOMING WIRING DETAIL



INSIDE LAYOUT OF CONTROL BOX

