

CONTACT COOLED GARNISH DISPLAY - FITTING INSTRUCTIONS

1) Do not site the display within 2m of ceiling mounted air conditioning grilles.

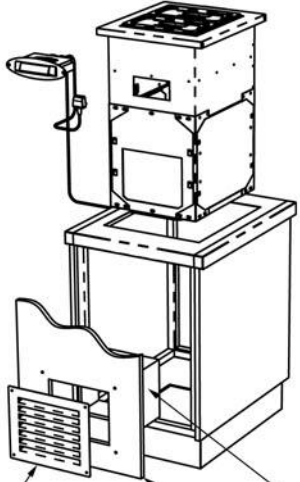
General Installation Considerations

2) Do not site the display beneath a high level of direct sunlight.

3) Access to maintain the condensing unit should be made via removable fascia panels or doors to both customer and operator side of counter.

A) WORKTOP CUT-OUT

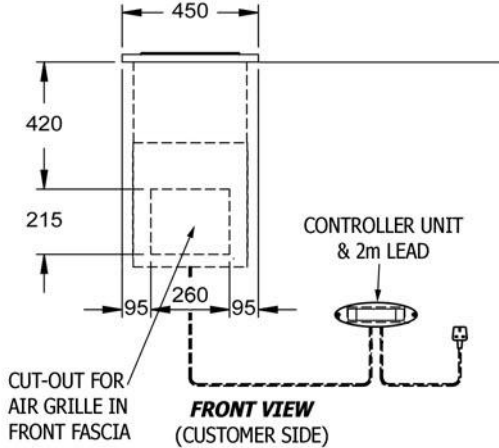
420mm L X 490mm D



STANDARD STAINLESS STEEL AIR GRILLE (SUPPLIED BY CED) REMOVABLE FASCIA PANEL (BY OTHERS) PLENUM OR 4 SIDED TUNNEL (BY OTHERS)

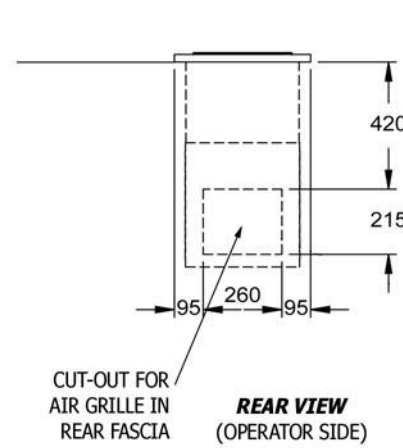
FRONT ISOMETRIC
(CUSTOMER SIDE)

B) AIR INTAKE CUT-OUT (CUSTOMER SIDE FASCIA PANEL)



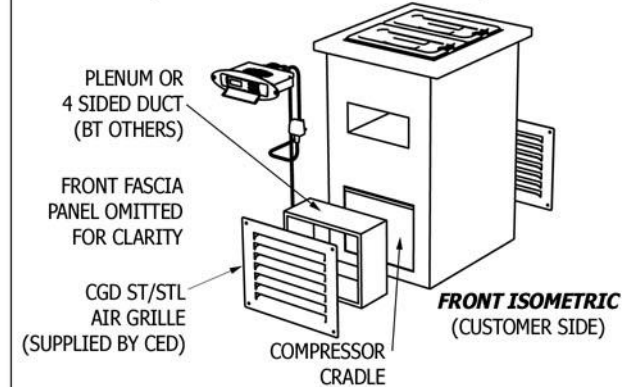
CUT-OUT FOR AIR GRILLE IN FRONT FASCIA
FRONT VIEW
(CUSTOMER SIDE)

C) AIR OUTLET CUT-OUT (OPERATOR SIDE FASCIA PANEL)



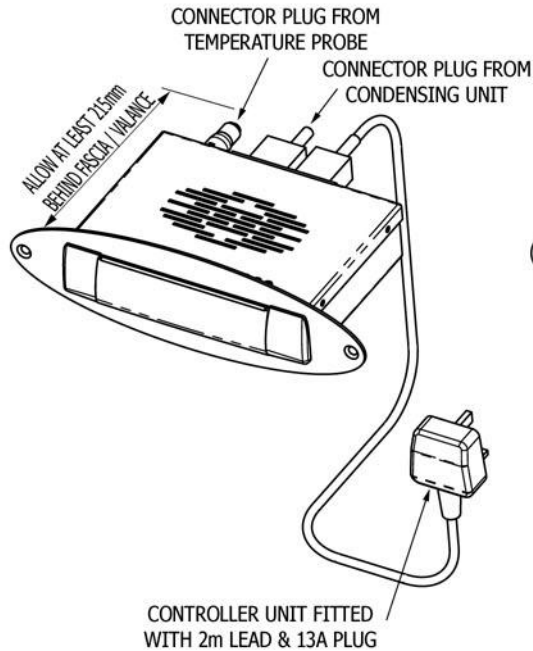
CUT-OUT FOR AIR GRILLE IN REAR FASCIA
REAR VIEW
(OPERATOR SIDE)

G) AIR INTAKE TUNNEL / PLENUM FITTING (CUSTOMER SIDE FASCIA PANEL)

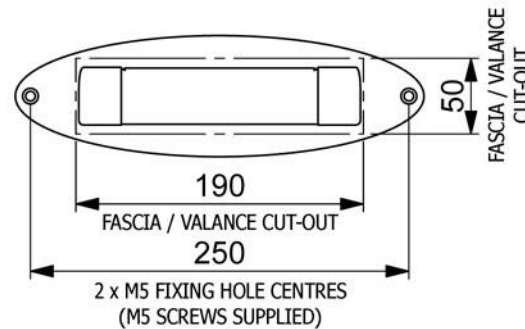


A PLENUM OR 4 SIDED TUNNEL (MADE FROM MDF, PLYWOOD OR NILFLAM TYPE MATERIAL) MUST BE FITTED BETWEEN THE REAR FACE OF THE CUSTOMER SIDE FASCIA PANEL AND THE FRONT FACE OF THE COMPRESSOR CRADLE, AROUND THE AIR INTAKE CUT-OUT, TO STOP THE RE-CIRCULATION OF HOT AIR FROM THE COMPRESSOR. SILICON SEAL AROUND EDGES TO ENSURE THERE ARE NO AIR GAPS.

E) CONNECTIONS TO CONTROLLER UNIT

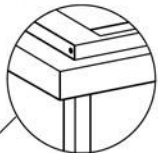


F) CONTROLLER UNIT MOUNTING DETAILS



D) FITTING INTO COUNTER WORKTOP

LOCATE CONTROLLER 240mm BELOW WORKTOP OR IN ADJACENT HOUSING



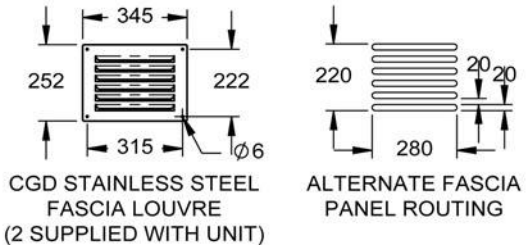
SILICON SEAL AROUND DISPLAY FLANGE TO COUNTER WORKTOP

REMOVABLE FASCIA PANEL, LIFT-OFF SERVICE COVER OR HINGED DOOR (BY OTHERS)

STANDARD STAINLESS STEEL AIR GRILLE (SUPPLIED BY CED)

REAR ISOMETRIC
(OPERATOR SIDE)

H) FITTING OF LOUVRE GRILLES



Tel. 01254 238 282 Fax. 01254 238 228

e-mail: aftersales@cedlimited.com