

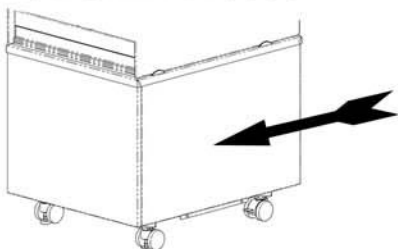


HEATED PATISSERIE - ALL MODELS - FITTING INSTRUCTIONS

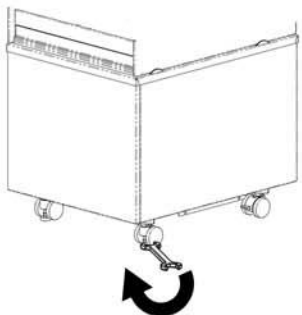
MODELS: PH6,9,12
PH6,9,12FB & PH6,9,12AS

FREE-STANDING APPLICATION

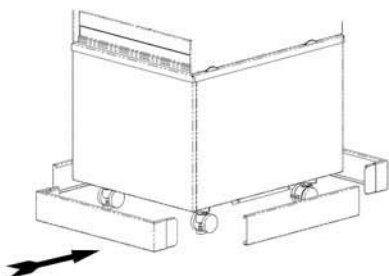
A) ROLL UNIT INTO POSITION
UNIT SUPPLIED WITH CASTORS



B) ADJUST UNIT HEIGHT
USING SUPPLIED SPANNER
(ENSURE THE HALF NUT IS WOUND FULLY UPWARDS)



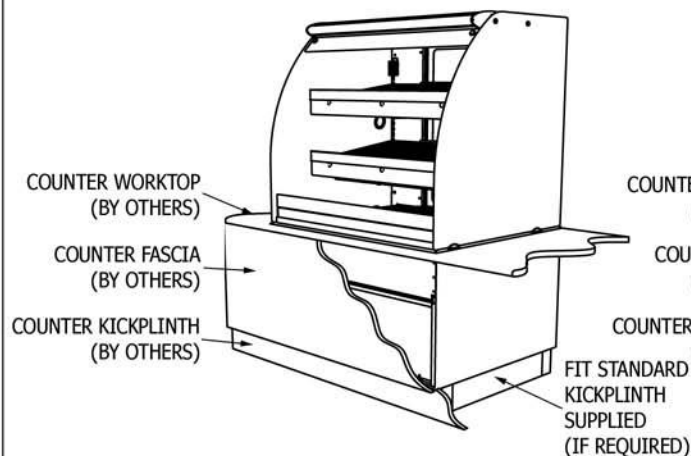
C) FIT KICK PLINTH
FRONT & REAR LOCATES WITH MAGNETS



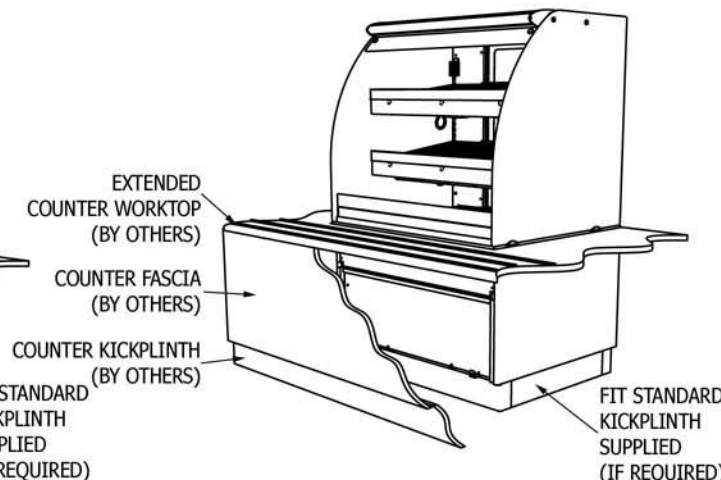
NOTE: KICKPLINTH SUPPLIED AS STANDARD IS SUITABLE FOR LOWEST ADJUSTED UNIT HEIGHT

COUNTER LOCATED APPLICATION

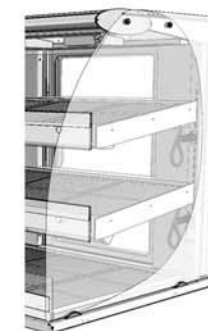
FLUSH FITTING FASCIA PANEL



STAND-OFF FASCIA PANEL



FITTING SHELVES



LOCATE SHELF SUPPORT BRACKETS INTO REAR SLOTS AT HEIGHT TO SUIT PRODUCTS. WIRE SHELF GRIDS MAY BE REMOVED TO GIVE GREATER BASE TEMPERATURE TO DISPLAYED PRODUCTS



Tel. 01254 238 282 Fax. 01254 238 228
e-mail: aftersales@cedlimited.com