



# SELF SERVICE AMBIENT GANTRIES - FITTING INSTRUCTIONS

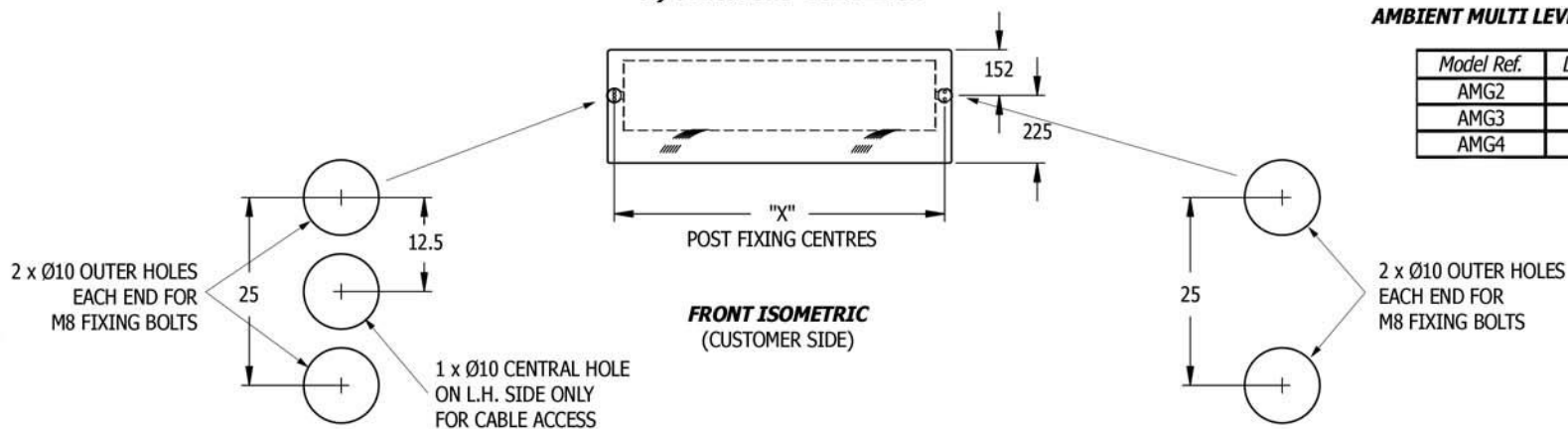
## AMBIENT GANTRIES

Model Ref.	Dim "X"
AG1	400
AG2	750
AG3	1100
AG4	1450
AG5	1800

## AMBIENT ISLAND GANTRIES

Model Ref.	Dim "X"
AIG3	1100
AIG4	1450

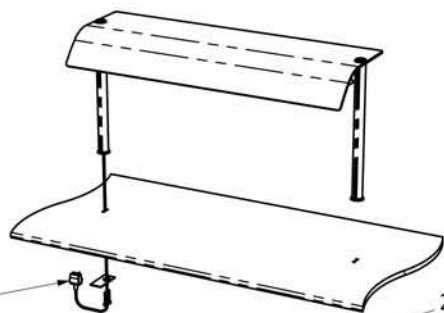
## A) WORKTOP DRILLING



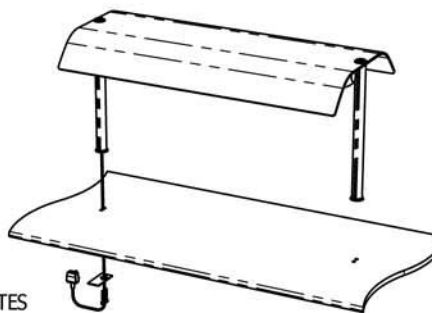
## AMBIENT MULTI LEVEL GANTRIES

Model Ref.	Dim "X"
AMG2	750
AMG3	1100
AMG4	1450

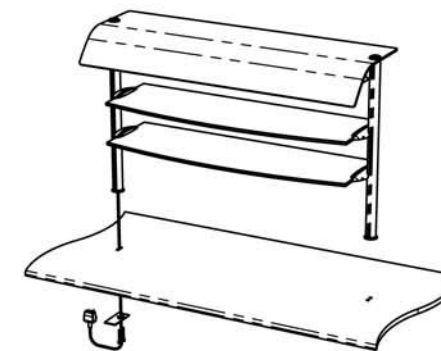
## B) FITTING TO WORKTOP



**AMBIENT GANTRY - FRONT ISOMETRIC (CUSTOMER SIDE)**



**AMBIENT ISLAND GANTRY - FRONT ISOMETRIC (CUSTOMER SIDE)**



**AMBIENT MULTI LEVEL GANTRY - FRONT ISOMETRIC (CUSTOMER SIDE)**

