

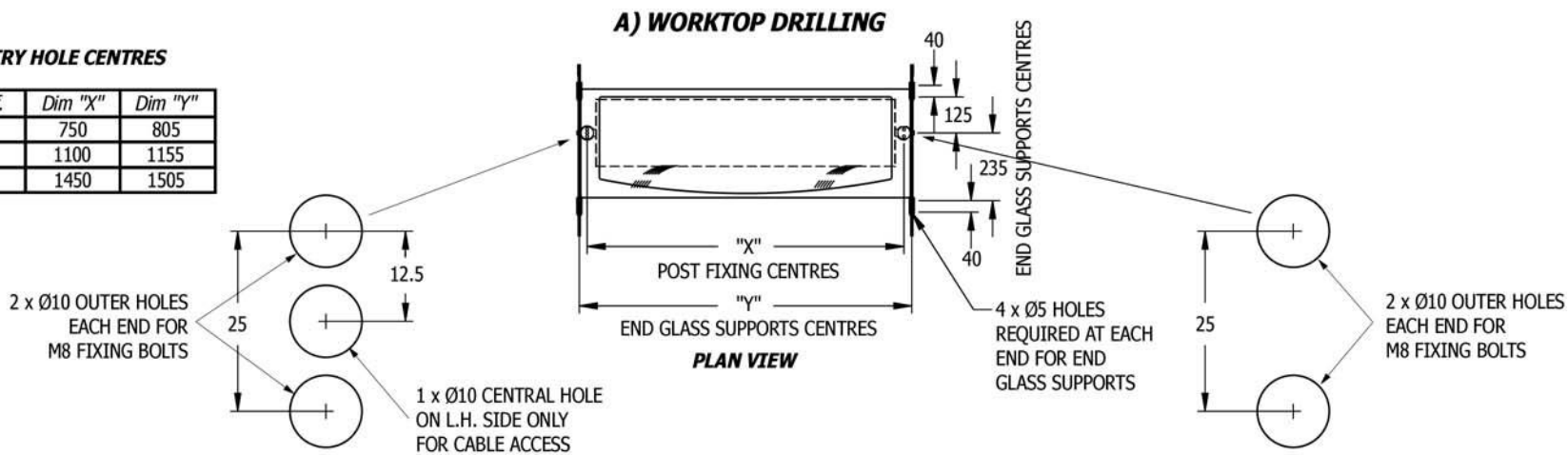


SELF SERVICE AMBIENT MULTI LEVEL GANTRY - FITTING INSTRUCTIONS

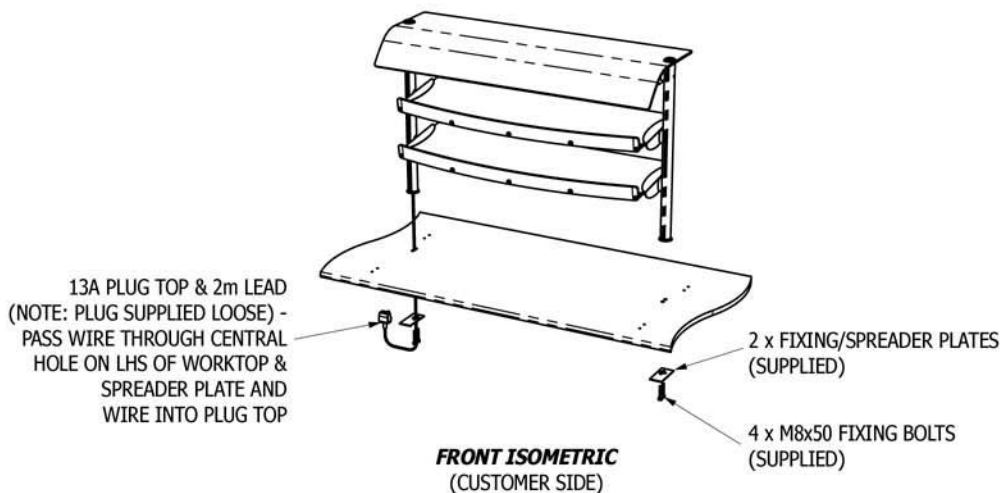
WITH UNDER SHELF LIGHTS

GANTRY HOLE CENTRES

Model Ref.	Dim "X"	Dim "Y"
MMG2	750	805
MMG3	1100	1155
MMG4	1450	1505



B) FITTING TO WORKTOP



C) FITTING END GLASS

