

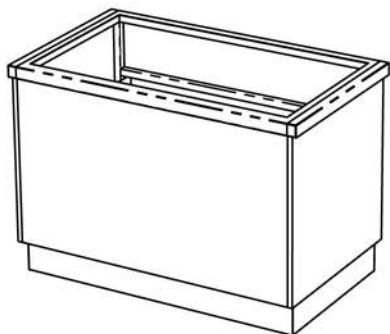
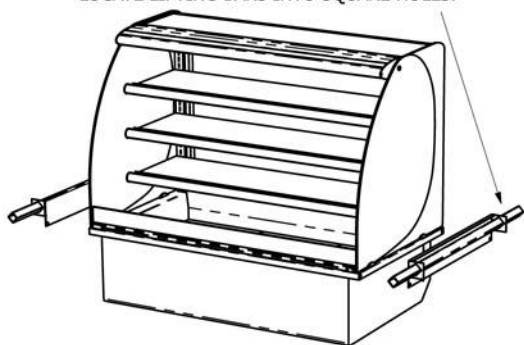


# SELF SERVICE AMBIENT MULTI DECK - FITTING INSTRUCTIONS

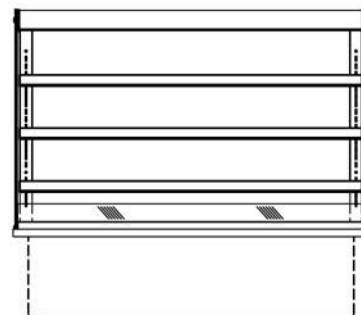
## A) WORKTOP CUT-OUT

Model Ref.	Worktop Cut Out Size (mm)		Model Weight (in Kg)
	Length	Width	
MDA2	795	650	64
MDA3	1145	650	106
MDA4	1495	650	148

FIX LIFTING BRACKETS TO FRAME END FLANGES USING SCREWS ALREADY IN FLANGES, THEN LOCATE LIFTING BARS INTO SQUARE HOLES.



FRONT ISOMETRIC (CUSTOMER SIDE)



13A PLUG TOP & 2m LEAD

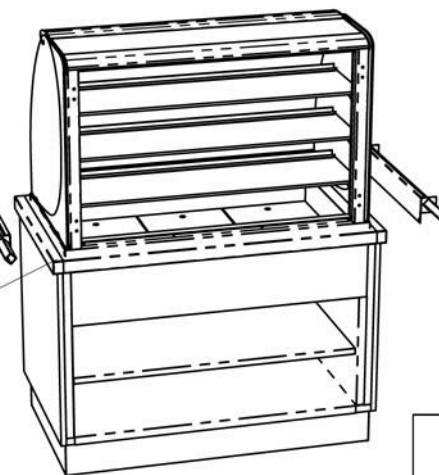
FRONT VIEW (CUSTOMER SIDE)

## B) FITTING INTO COUNTER WORKTOP

REMOVE LIFTING BRACKETS AFTER FITTING AND REPLACE SCREWS INTO FRAME END FLANGES



SILICON SEAL AROUND DISPLAY FLANGE TO COUNTER WORKTOP



REAR ISOMETRIC (OPERATOR SIDE)

