

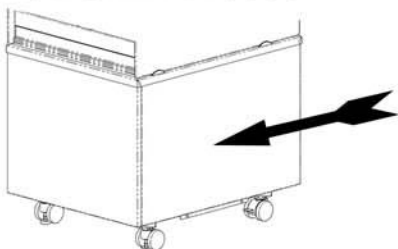


AMBIENT PÂTISSERIE - ALL MODELS - FITTING INSTRUCTIONS

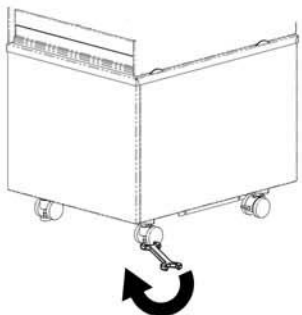
MODELS: PA6,9,12
PA6,9,12FB & PA6,9,12AS

FREE-STANDING APPLICATION

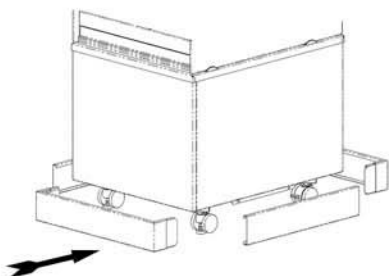
A) ROLL UNIT INTO POSITION
UNIT SUPPLIED WITH CASTORS



B) ADJUST UNIT HEIGHT
USING SUPPLIED SPANNER
(ENSURE THE HALF NUT IS WOUND FULLY UPWARDS)



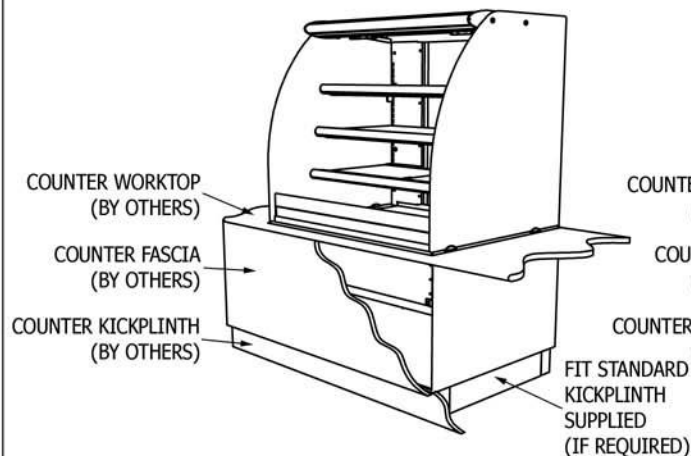
C) FIT KICK PLINTH
FRONT & REAR LOCATES WITH MAGNETS



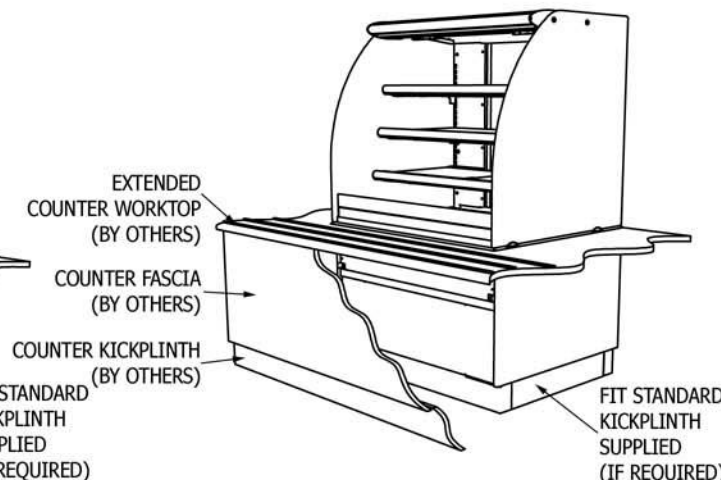
NOTE: KICKPLINTH SUPPLIED AS STANDARD IS SUITABLE FOR LOWEST ADJUSTED UNIT HEIGHT

COUNTER LOCATED APPLICATION

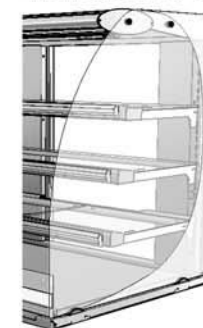
FLUSH FITTING FASCIA PANEL



STAND-OFF FASCIA PANEL



FITTING SHELVES



LOCATE SHELF SUPPORT BRACKETS INTO REAR SLOTS AT HEIGHT & ANGLE TO SUIT PRODUCTS (NOTE: SHORTEST BRACKETS AT TOP AND LONGEST BRACKETS AT BTM). REST GLASS SHELVES ONTO RUBBER BUMPERS ON SHELF SUPPORTS. (NOTE HALF-LENGTH SHELVES ARE LOCATED ON BOTTOM TO ALLOW FOR TALLER BOTTLES ON DECK)



Tel. 01254 238 282 Fax. 01254 238 228
e-mail: aftersales@cedlimited.com