

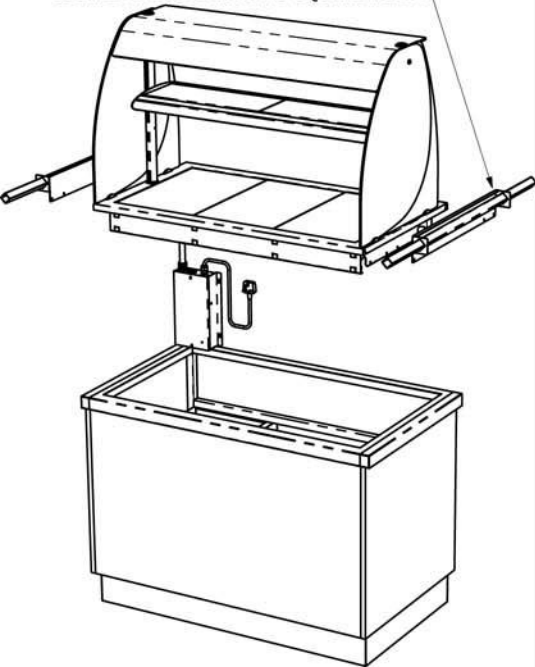


SELF HELP CERAN GLASS HOTPLATE & HEATED MID SHELF - FITTING INSTRUCTIONS

A) WORKTOP CUT-OUT

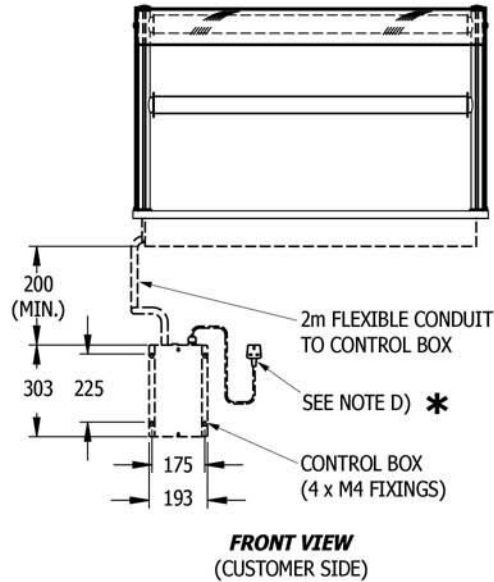
Model Ref.	Worktop Cut Out Size (mm)		Model Weight (in Kg)
	Length	Width	
HP2PS	795	650	55
HP3PS	1145	650	66
HP4PS	1495	650	77
HP5PS	1845	650	88

FIX LIFTING BRACKETS TO FRAME END FLANGES USING SCREWS ALREADY IN FLANGES, THEN LOCATE LIFTING BARS INTO SQUARE HOLES.



FRONT ISOMETRIC
(CUSTOMER SIDE)

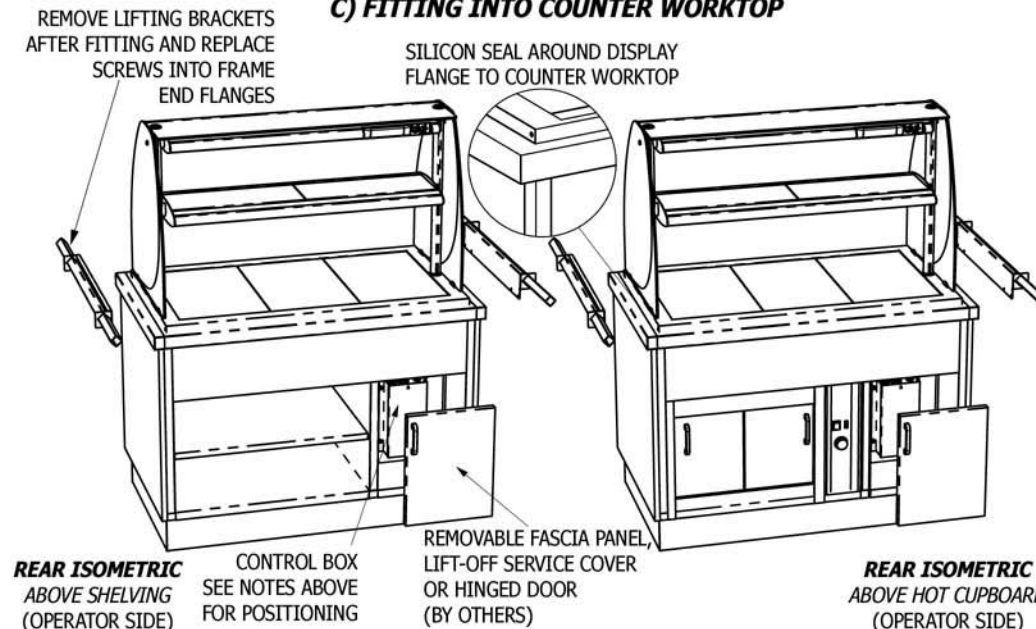
B) LOCATING OF CONTROL BOX



Recommended Control Box Positioning
Site the control box preferably to an upright surface, in an accessible service void, adjacent to or below the display unit (minimum clearance below underside of display unit = 200mm).

Incorrect Control Box Positioning
The control box must not be located
1) directly to the underside of the display unit,
2) above a hot cupboard or,
3) where ambient temperature is above 40°C,
4) where likely to allow ingress of water i.e. wet floor areas.

C) FITTING INTO COUNTER WORKTOP



REAR ISOMETRIC
ABOVE SHELIVING
(OPERATOR SIDE)

CONTROL BOX
SEE NOTES ABOVE
FOR POSITIONING

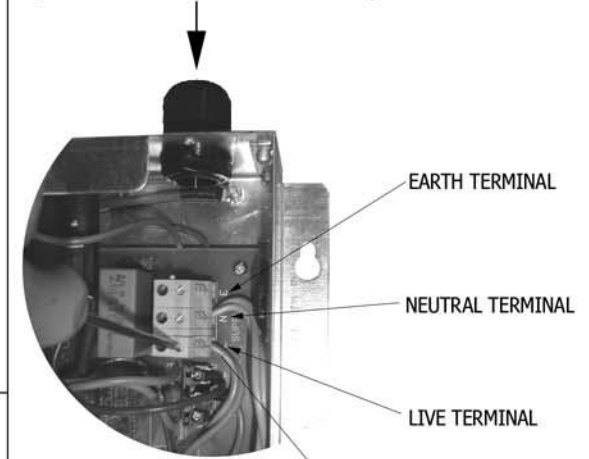
REMOVABLE FASCIA PANEL,
LIFT-OFF SERVICE COVER
OR HINGED DOOR
(BY OTHERS)

REAR ISOMETRIC
ABOVE HOT CUPBOARD
(OPERATOR SIDE)

* D) FOR MODELS ABOVE 3kW INCOMING ELECTRICAL SUPPLY DETAILS

Model Ref.	Current	Voltage	Power
HP4PS	16A	230V	3.8kW
HP5PS	20A	230V	4.8kW

INCOMING ELECTRICAL SUPPLY
(SEE TABLE ABOVE FOR SUPPLY DETAILS)



**CLOSE-UP OF INCOMING
WIRING DETAIL**



**INSIDE LAYOUT
OF CONTROL BOX**

