

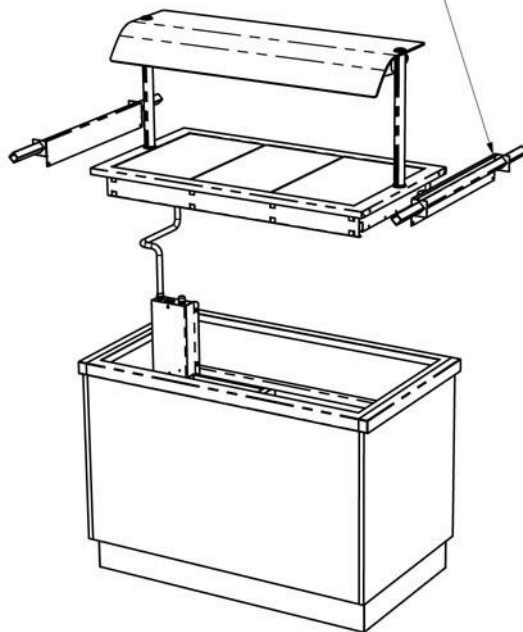


SELF HELP GLASS HOTPLATE - FITTING INSTRUCTIONS

A) WORKTOP CUT-OUT

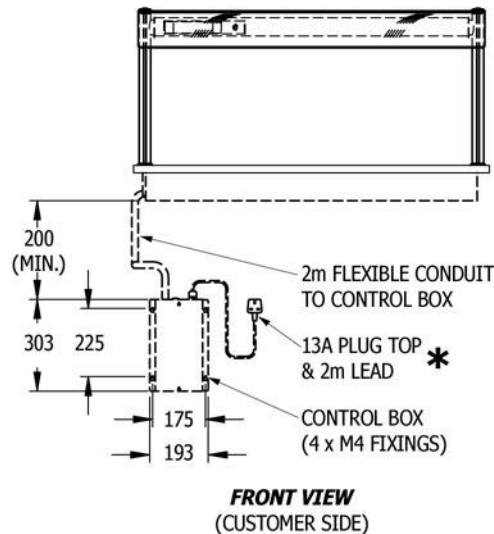
Model Ref.	Worktop Cut Out Size (mm)		Model Weight (in Kg)
	Length	Width	
HP2	795	650	46
HP3	1145	650	55
HP4	1495	650	64
HP5	1845	650	73
HP6	2195	650	82

FIX LIFTING BRACKETS TO FRAME END FLANGES USING SCREWS ALREADY IN FLANGES, THEN LOCATE LIFTING BARS INTO SQUARE HOLES.



FRONT ISOMETRIC
(CUSTOMER SIDE)

B) LOCATING OF CONTROL BOX



FRONT VIEW
(CUSTOMER SIDE)

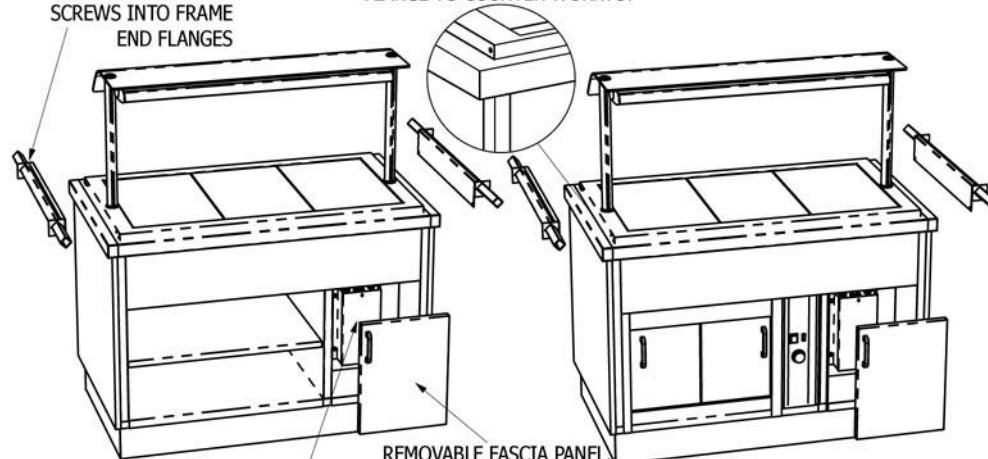
Recommended Control Box Positioning
Site the control box preferably to an upright surface, in an accessible service void, adjacent to or below the display unit (minimum clearance below underside of display unit = 200mm).

Incorrect Control Box Positioning
The control box must not be located
1) directly to the underside of the display unit,
2) above a hot cupboard or,
3) where ambient temperature is above 40°C,
4) where likely to allow ingress of water i.e. wet floor areas.

C) FITTING INTO COUNTER WORKTOP

REMOVE LIFTING BRACKETS AFTER FITTING AND REPLACE SCREWS INTO FRAME END FLANGES

SILICON SEAL AROUND DISPLAY FLANGE TO COUNTER WORKTOP



REAR ISOMETRIC
ABOVE SHELVEING
(OPERATOR SIDE)

CONTROL BOX
SEE NOTES ABOVE
FOR POSITIONING

REMOVABLE FASCIA PANEL
LIFT-OFF SERVICE COVER
OR HINGED DOOR
(BY OTHERS)

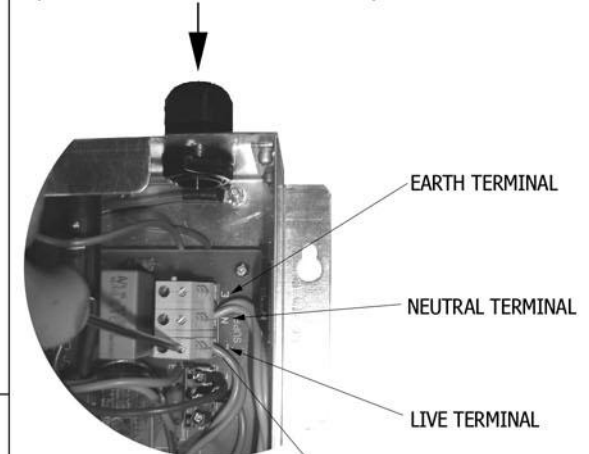
REAR ISOMETRIC
ABOVE HOT CUPBOARD
(OPERATOR SIDE)

* D) FOR MODELS ABOVE 3kW

INCOMING ELECTRICAL SUPPLY DETAILS

Model Ref.	Current	Voltage	Power
HP5	16A	230V	3.3kW
HP6	20A	230V	3.9kW

INCOMING ELECTRICAL SUPPLY
(SEE TABLE ABOVE FOR SUPPLY DETAILS)



CLOSE-UP OF INCOMING WIRING DETAIL



INSIDE LAYOUT OF CONTROL BOX

