

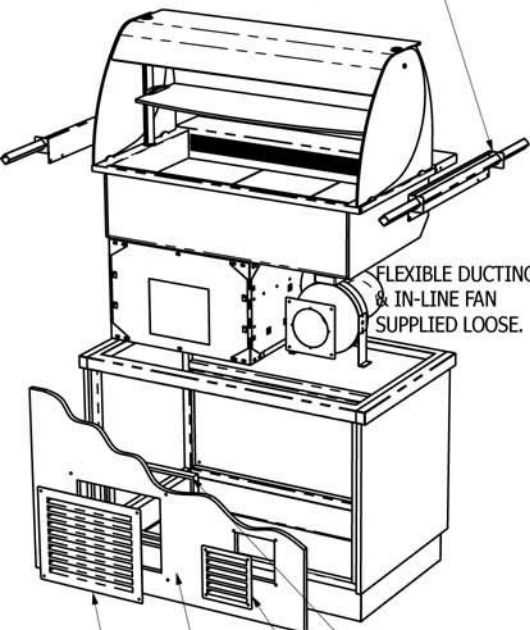
**General Installation Considerations**

- 1) Area in which display is to be sited must have a minimum room volume no less than 66 cu m (CDLSH2HT), 82 cu m (CDLSH3HT), 95 cu m (CDLSH4HT) or 122 cu m (CDLSH5HT & CDLSH6HT).
- 2) Install over a sealed floor or ventilated floor void.
- 3) Do not site the display within 2m of ceiling mounted air conditioning grilles.
- 4) Do not site the display beneath a high level of direct sunlight.
- 5) Display will operate in a 24 hour environment.
- 6) Access to maintain condensing unit should be made via removable fascia panels or doors to customer and operator side of counter.

**A) WORKTOP CUT-OUT**

| Model Ref.     | Worktop Cut Out Size (mm) |       | Model Weight (in Kg) |
|----------------|---------------------------|-------|----------------------|
|                | Length                    | Width |                      |
| CDLSH2HT + AF1 | 795                       | 650   | 107                  |
| CDLSH3HT + AF1 | 1145                      | 650   | 128                  |
| CDLSH4HT + AF1 | 1495                      | 650   | 154                  |
| CDLSH5HT + AF1 | 1845                      | 650   | 171                  |
| CDLSH6HT + AF1 | 2195                      | 650   | 185                  |

FIX LIFTING BRACKETS TO FRAME END FLANGES USING SCREWS ALREADY IN FLANGES, THEN LOCATE LIFTING BARS INTO SQUARE HOLES.



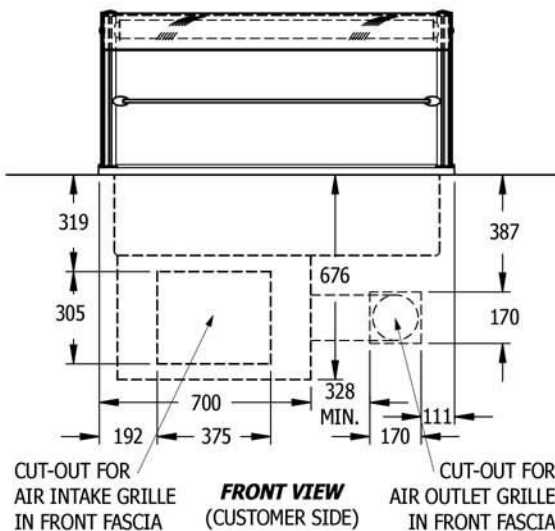
FLEXIBLE DUCTING & IN-LINE FAN SUPPLIED LOOSE.

REMOVABLE FASCIA PANEL (BY OTHERS)  
STANDARD STAINLESS STEEL AIR GRILLE (SUPPLIED BY CED)  
PLENUM OR 4 SIDED TUNNEL (BY OTHERS)  
STAINLESS STEEL AIR FLOW KIT GRILLE (SUPPLIED BY CED)

**FRONT ISOMETRIC (CUSTOMER SIDE)**

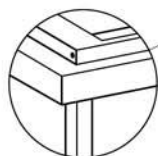
**B) AIR INTAKE & OUTLET CUT-OUTS (CUSTOMER SIDE FASCIA PANEL)**

(FOR CDLSH2HT - CDLSH6HT)



RE-ATTACH FLEXIBLE DUCTING & IN-LINE FAN TO SIDE OF COMPRESSOR CRADLE ONCE UNIT HAS BEEN DROPPED INTO PLACE. ELECTRICALLY CONNECT FAN TO CONTROL BOX WITH "KETTLE PLUG"

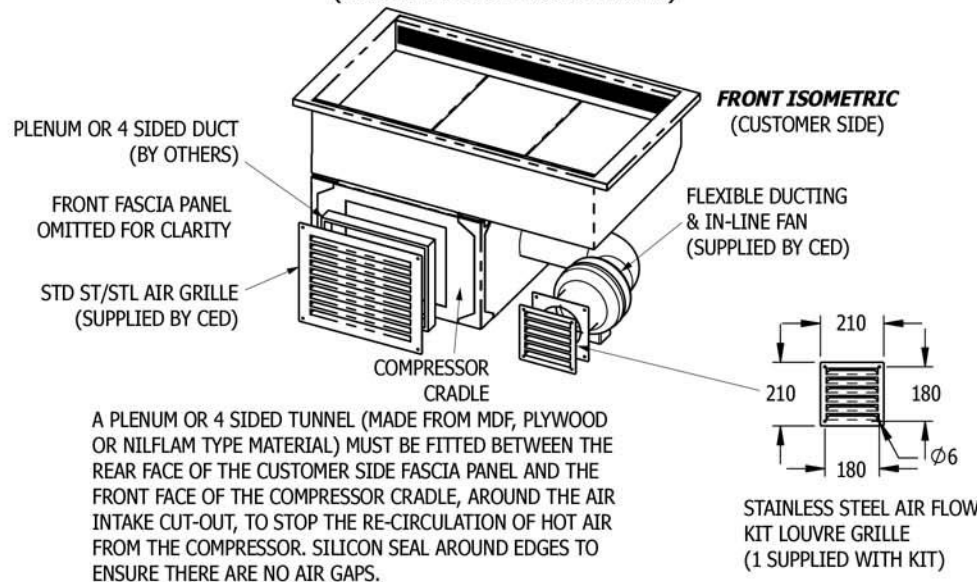
REMOVE LIFTING BRACKETS AFTER FITTING AND REPLACE SCREWS INTO FRAME END FLANGES



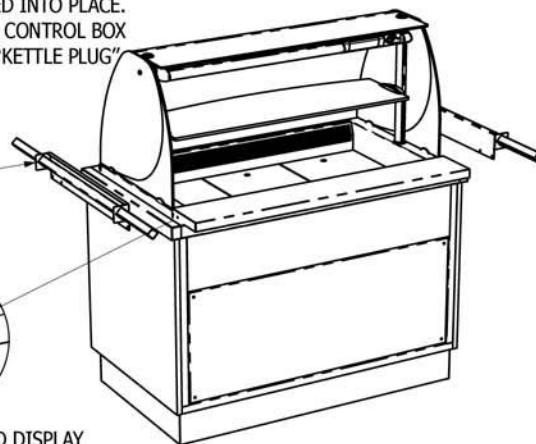
SILICON SEAL AROUND DISPLAY FLANGE TO COUNTER WORKTOP

**REAR ISOMETRIC (OPERATOR SIDE)**

**D) AIR INTAKE TUNNEL / PLENUM FITTING (CUSTOMER SIDE FASCIA PANEL)**



**C) FITTING INTO COUNTER WORKTOP**



**E) FITTING OF LOUVRE GRILLES**

