

**SELF HELP CHILLED ISLAND WELL - R290
WITH AIRFLOW KIT AF1 (IN/OUT TO CUSTOMER SIDE)**

- FITTING INSTRUCTIONS

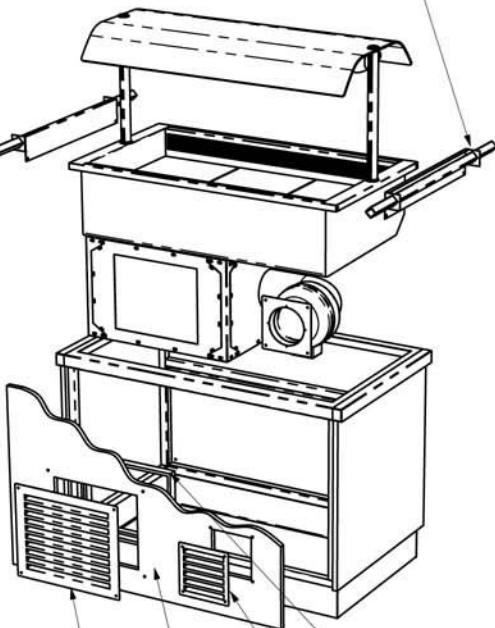
General Installation Considerations

- 1) Area in which display is to be sited must have a minimum room volume no less than 82 cu m (CIW3HT), 95 cu m (CIW4HT) or 122 cu m (CIW6HT).
- 2) Install over a sealed floor or ventilated floor void.
- 3) Do not site the display within 2m of ceiling mounted air conditioning grilles.
- 4) Do not site the display beneath a high level of direct sunlight.
- 5) Display will operate in a 24 hour environment.
- 6) Access to maintain condensing unit should be made via removable fascia panels or doors to customer and operator side of counter.

A) WORKTOP CUT-OUT

Model Ref.	Worktop Cut Out Size (mm)		Model Weight (in Kg)
	Length	Width	
CIW3HT + AF1	1145	650	116
CIW4HT + AF1	1495	650	136
CIW6HT + AF1	2195	650	167

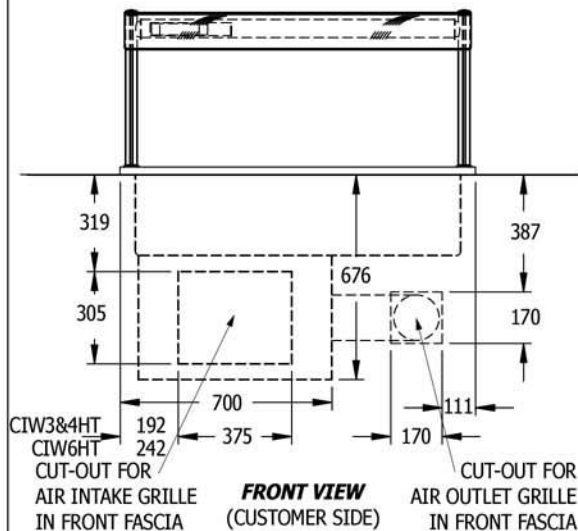
FIX LIFTING BRACKETS TO FRAME END FLANGES USING SCREWS ALREADY IN FLANGES, THEN LOCATE LIFTING BARS INTO SQUARE HOLES.



- REMOVABLE FASCIA PANEL (BY OTHERS)
- STANDARD STAINLESS STEEL AIR GRILLE (SUPPLIED BY CED)
- PLENUM OR 4 SIDED TUNNEL (BY OTHERS)
- STAINLESS STEEL AIR FLOW KIT GRILLE (SUPPLIED BY CED)

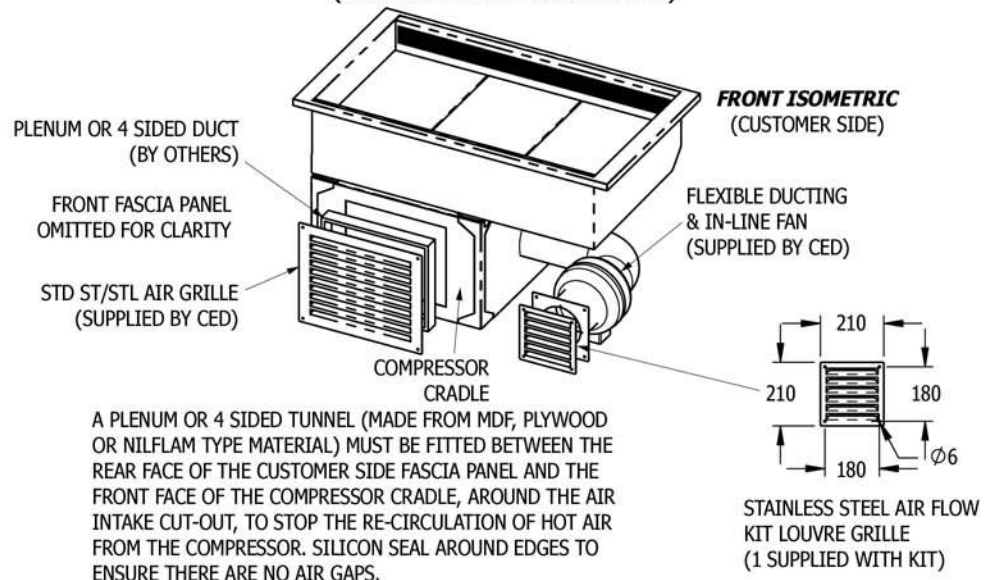
FRONT ISOMETRIC (CUSTOMER SIDE)

B) AIR INTAKE & OUTLET CUT-OUTS (CUSTOMER SIDE FASCIA PANEL)

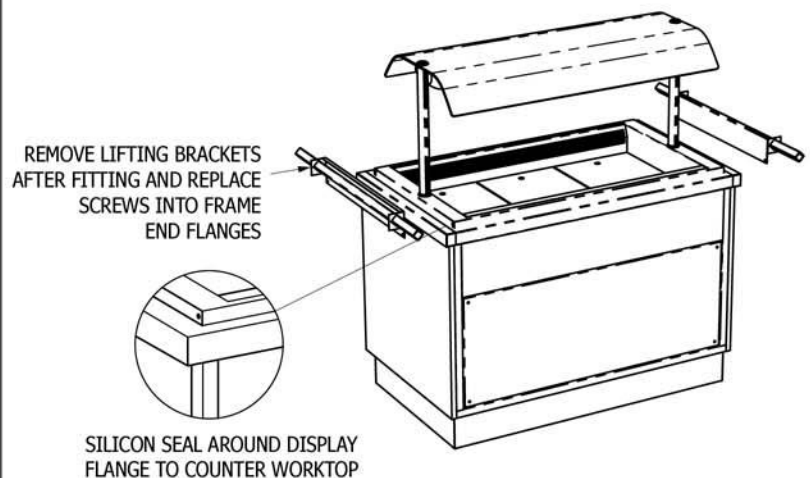


FRONT VIEW (CUSTOMER SIDE)

D) AIR INTAKE TUNNEL / PLENUM FITTING (CUSTOMER SIDE FASCIA PANEL)



C) FITTING INTO COUNTER WORKTOP



REAR ISOMETRIC (OPERATOR SIDE)

E) FITTING OF LOUVRE GRILLES

