



SELF HELP CHILLED ISLAND WELL - R290 WITH AIRFLOW KIT AF2 (IN/OUT TO OPERATOR SIDE)

- FITTING INSTRUCTIONS

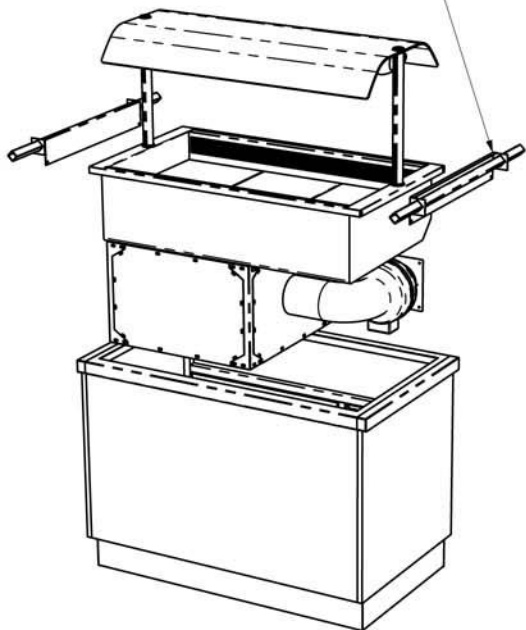
General Installation Considerations

- Area in which display is to be sited must have a minimum room volume no less than 82 cu m (CIW3HT), 95 cu m (CIW4HT) or 122 cu m (CIW6HT).
- Install over a sealed floor or ventilated floor void.
- Do not site the display within 2m of ceiling mounted air conditioning grilles.
- Do not site the display beneath a high level of direct sunlight.
- Display will operate in a 24 hour environment.
- Access to maintain condensing unit should be made via removable fascia panels or doors to customer and operator side of counter.

A) WORKTOP CUT-OUT

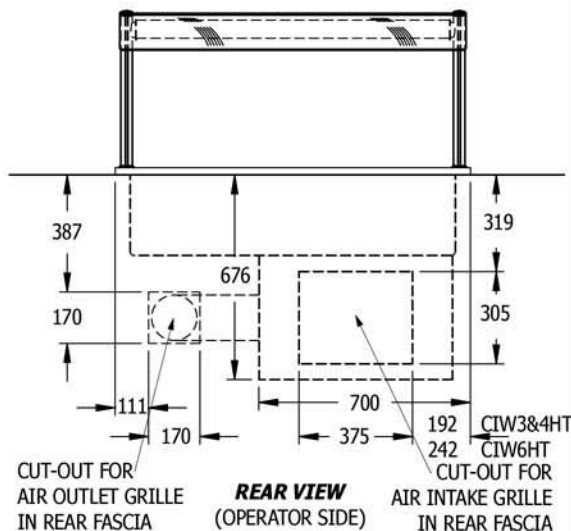
Model Ref.	Worktop Cut Out Size (mm)		Model Weight (in Kg)
	Length	Width	
CIW3HT + AF2	1145	650	116
CIW4HT + AF2	1495	650	136
CIW6HT + AF2	2195	650	167

FIX LIFTING BRACKETS TO FRAME END FLANGES USING SCREWS ALREADY IN FLANGES, THEN LOCATE LIFTING BARS INTO SQUARE HOLES.



FRONT ISOMETRIC
(CUSTOMER SIDE)

B) AIR INTAKE & OUTLET CUT-OUTS (OPERATOR SIDE FASCIA PANEL)

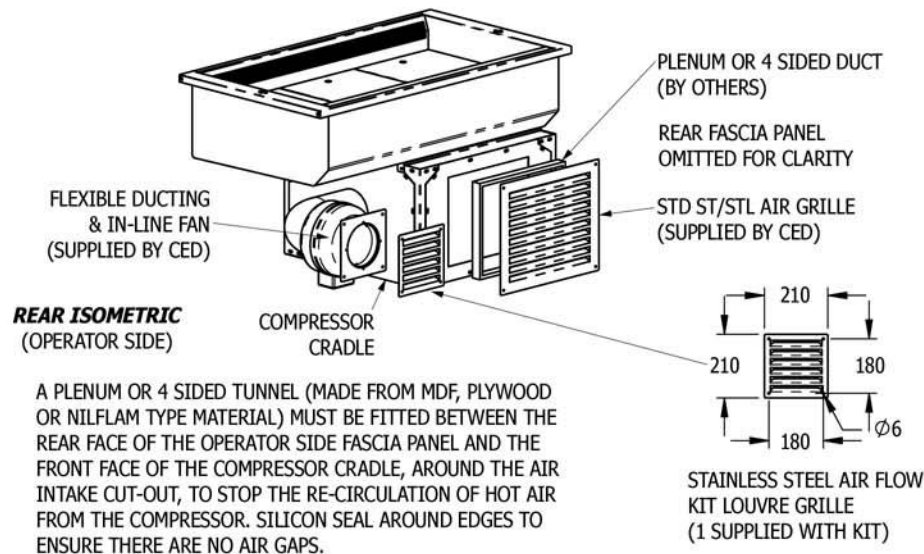


CUT-OUT FOR AIR OUTLET GRILLE IN REAR FASCIA

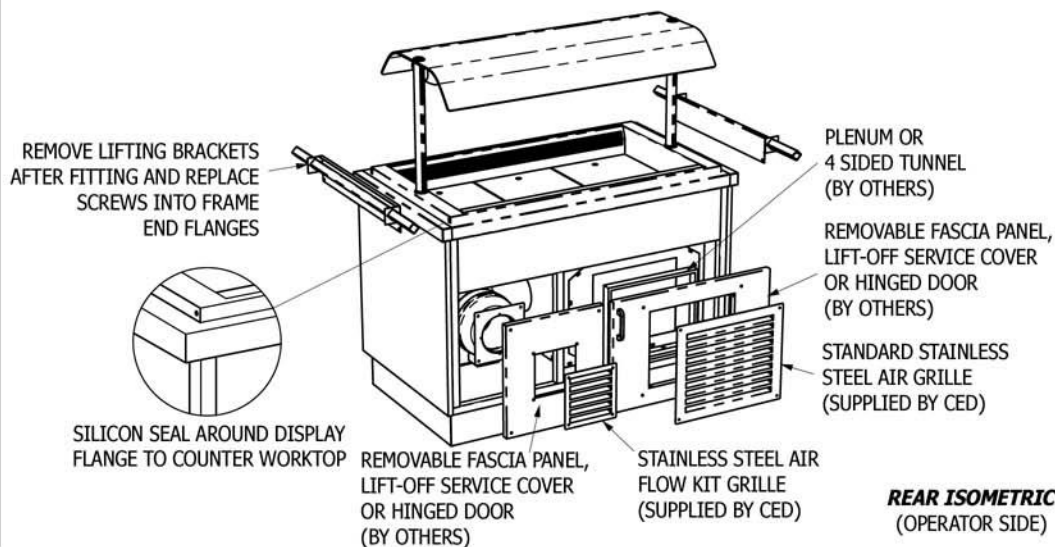
REAR VIEW
(OPERATOR SIDE)

CUT-OUT FOR AIR INTAKE GRILLE IN REAR FASCIA

D) AIR INTAKE TUNNEL / PLENUM FITTING (OPERATOR SIDE FASCIA PANEL)



C) FITTING INTO COUNTER WORKTOP



E) FITTING OF LOUVRE GRILLES

