



SELF HELP CHILLED MULTI DECK (FIXED BACK) - R290 - FITTING INSTRUCTIONS WITH AIRFLOW KIT AF1 (IN/OUT TO CUSTOMER SIDE)

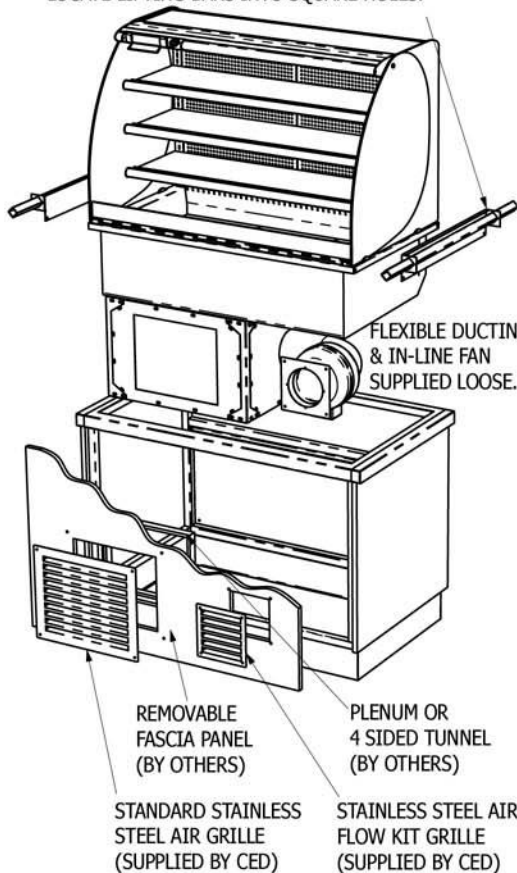
General Installation Considerations

- 1) Area in which display is to be sited must have a minimum room volume no less than 109 cu m (MDF2HT), 122 cu m (MDF3HT) or 132 cu m (MDF4HT & MDF5HT).
- 2) Install over a sealed floor or ventilated floor void.
- 3) Do not site the display within 2m of ceiling mounted air conditioning grilles.
- 4) Do not site the display beneath a high level of direct sunlight.
- 5) Display will operate in a 24 hour environment.
- 6) Access to maintain condensing unit should be made via removable fascia panels or doors to customer and operator side of counter.

A) WORKTOP CUT-OUT

Model Ref.	Worktop Cut Out Size (mm)		Model Weight (in Kg)
	Length	Width	
MDF2HT + AF1	795	650	138
MDF3HT + AF1	1145	650	158
MDF4HT + AF1	1495	650	200
MDF5HT + AF1	1845	650	243

FIX LIFTING BRACKETS TO FRAME END FLANGES USING SCREWS ALREADY IN FLANGES, THEN LOCATE LIFTING BARS INTO SQUARE HOLES.

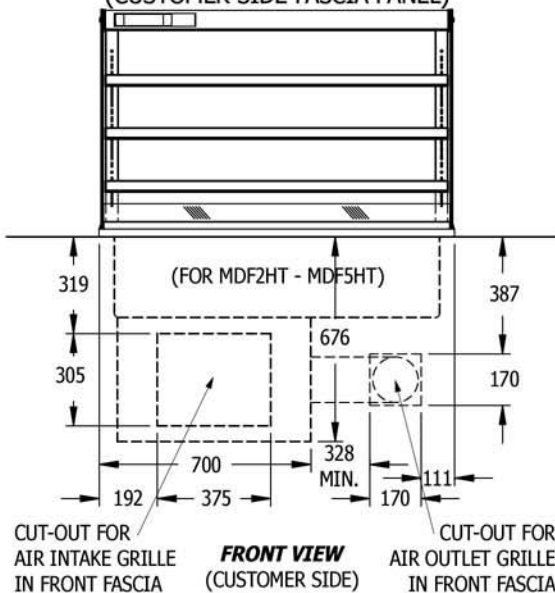


FLEXIBLE DUCTING & IN-LINE FAN SUPPLIED LOOSE.

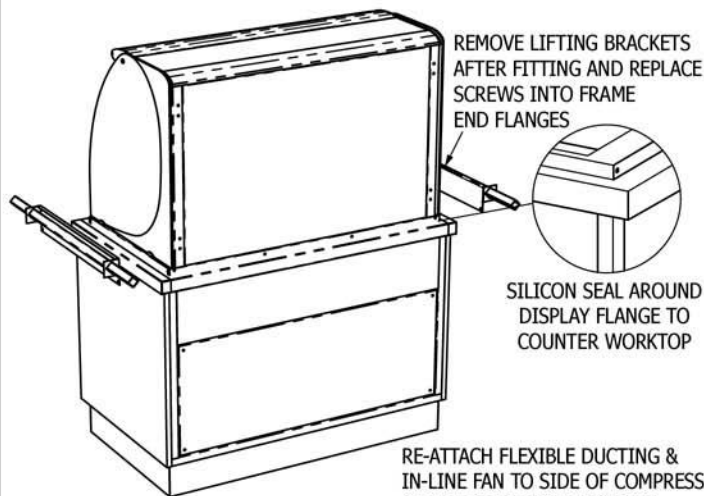
REMOVABLE FASCIA PANEL (BY OTHERS)
STANDARD STAINLESS STEEL AIR GRILLE (SUPPLIED BY CED)
PLENUM OR 4 SIDED TUNNEL (BY OTHERS)
STAINLESS STEEL AIR FLOW KIT GRILLE (SUPPLIED BY CED)

FRONT ISOMETRIC
(CUSTOMER SIDE)

B) AIR INTAKE & OUTLET CUT-OUTS (CUSTOMER SIDE FASCIA PANEL)



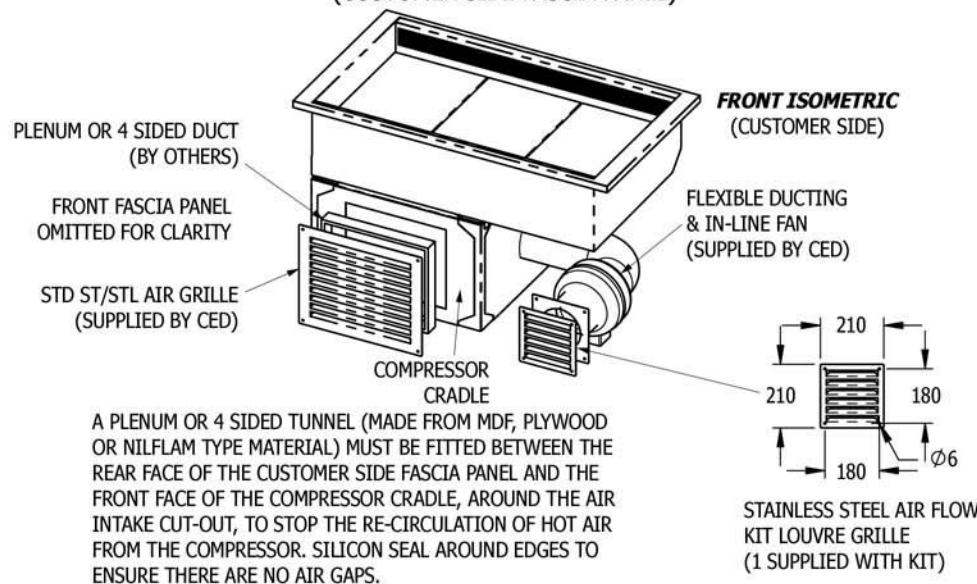
C) FITTING INTO COUNTER WORKTOP



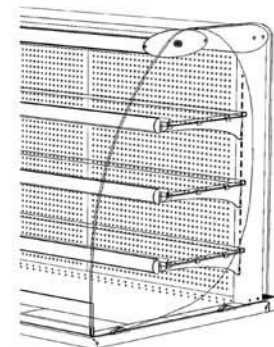
REAR ISOMETRIC
(OPERATOR SIDE)

RE-ATTACH FLEXIBLE DUCTING & IN-LINE FAN TO SIDE OF COMPRESSOR CRADLE ONCE UNIT HAS BEEN DROPPED INTO PLACE. ELECTRICALLY CONNECT FAN TO CONTROL BOX WITH "KETTLE PLUG"

E) AIR INTAKE TUNNEL / PLENUM FITTING (CUSTOMER SIDE FASCIA PANEL)



D) FITTING SHELVES



LOCATE SHELF SUPPORT BRACKETS INTO REAR SLOTS AT HEIGHT & ANGLE TO SUIT PRODUCTS. PUSH ON 3 x GREY SILICON SHELF RESTS ONTO EACH BRACKET BEFORE GLASS SHELVES ARE LOWERED ON.

F) FITTING OF LOUVRE GRILLES

