

# SELF HELP CHILLED WELL - HYDROCARBON TYPE - R290 REFRIGERANT - FITTING INSTRUCTIONS

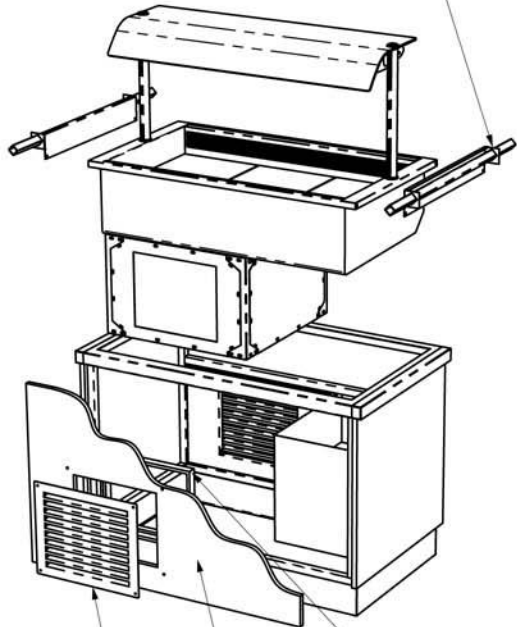
## General Installation Considerations

- Area in which display is to be sited must have a minimum room volume no less than 66 cu m (CW2HT), 82 cu m (CW3HT), 95 cu m (CW4HT) or 122 cu m (CW5&6HT).
- Install over a sealed floor or ventilated floor void.
- Do not site the display within 2m of ceiling mounted air conditioning grilles.
- Do not site the display beneath a high level of direct sunlight.
- Display will operate in a 24 hour environment.
- Access to maintain condensing unit should be made via removable fascia panels or doors to customer and operator side of counter.

### A) WORKTOP CUT-OUT

Model Ref.	Worktop Cut Out Size (mm)		Model Weight (in Kg)
	Length	Width	
CW2HT	795	650	94
CW3HT	1145	650	111
CW4HT	1495	650	131
CW5HT	1845	650	144
CW6HT	2195	650	160

FIX LIFTING BRACKETS TO FRAME END FLANGES USING SCREWS ALREADY IN FLANGES, THEN LOCATE LIFTING BARS INTO SQUARE HOLES.

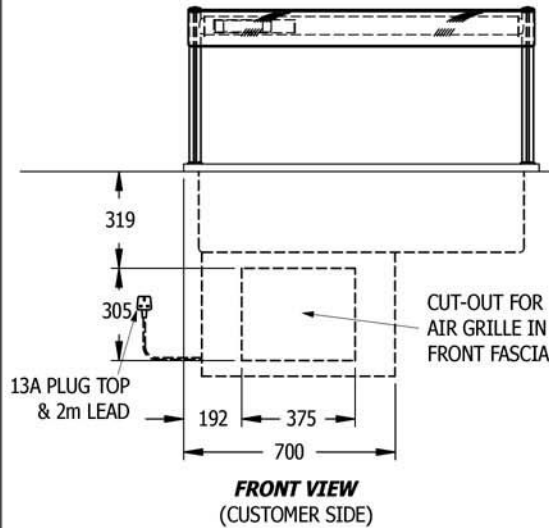


REMOVABLE FASCIA PANEL (BY OTHERS)  
PLENUM OR 4 SIDED TUNNEL (BY OTHERS)

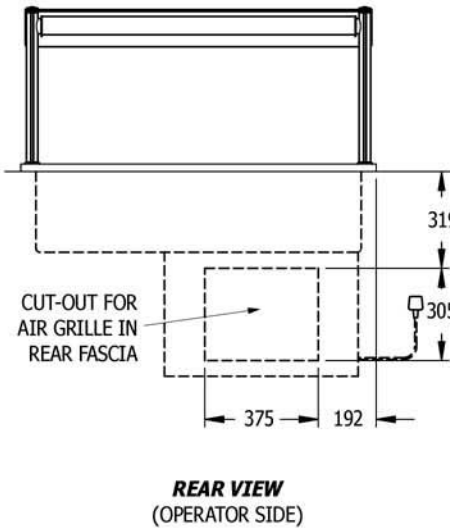
STANDARD STAINLESS STEEL AIR GRILLE (SUPPLIED BY CED)

FRONT ISOMETRIC (CUSTOMER SIDE)

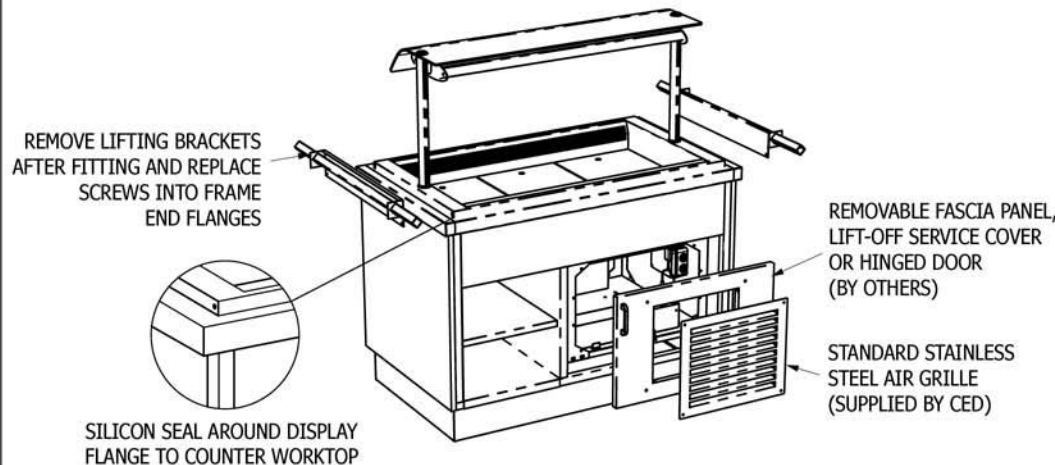
### B) AIR INTAKE CUT-OUT (CUSTOMER SIDE FASCIA PANEL)



### C) AIR OUTLET CUT-OUT (OPERATOR SIDE FASCIA PANEL)

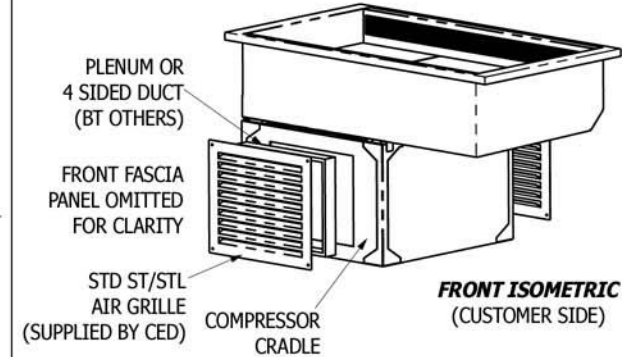


### D) FITTING INTO COUNTER WORKTOP



REAR ISOMETRIC (OPERATOR SIDE)

### E) AIR INTAKE TUNNEL / PLENUM FITTING (CUSTOMER SIDE FASCIA PANEL)



A PLENUM OR 4 SIDED TUNNEL (MADE FROM MDF, PLYWOOD OR NILFLAM TYPE MATERIAL) MUST BE FITTED BETWEEN THE REAR FACE OF THE CUSTOMER SIDE FASCIA PANEL AND THE FRONT FACE OF THE COMPRESSOR CRADLE, AROUND THE AIR INTAKE CUT-OUT, TO STOP THE RE-CIRCULATION OF HOT AIR FROM THE COMPRESSOR. SILICON SEAL AROUND EDGES TO ENSURE THERE ARE NO AIR GAPS.

### F) FITTING OF LOUVRE GRILLES

