

# SELF HELP CHILLED PÂTISSERIE (FIXED BACK) - R290 WITH AIRFLOW KIT PAF1 (IN/OUT TO CUSTOMER SIDE)

# - FITTING INSTRUCTIONS



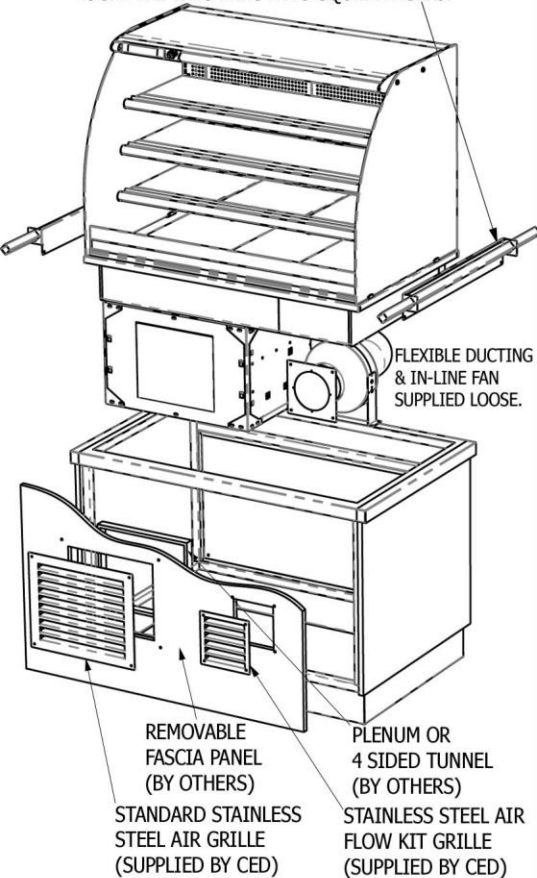
## General Installation Considerations

- Area in which display is to be sited must have a minimum room floor area not less than 17 sq m (PC6FBHTD), 26 sq m (PC9FBHTD), 28 sq m (PC12FBHTD) or 29 sq m (PC15&1FB8HTD).
- Install over a sealed floor or ventilated floor void.
- Do not site the display within 2m of ceiling mounted air conditioning grilles.
- Do not site the display beneath a high level of direct sunlight.
- Display will operate in a 24 hour environment.
- Access to maintain condensing unit should be made via removable fascia panels or doors to customer and operator side of counter.

### A) WORKTOP CUT-OUT

Model Ref.	Worktop Cut Out Size (mm)		Model Weight (in Kg)
	Length	Width	
PC6FBHTD+PAF1	570	740	146
PC9FBHTD+PAF1	870	740	193
PC12FBHTD+PAF1	1170	740	245
PC15FBHTD+PAF1	1470	740	299
PC18FBHTD+PAF1	1770	740	351

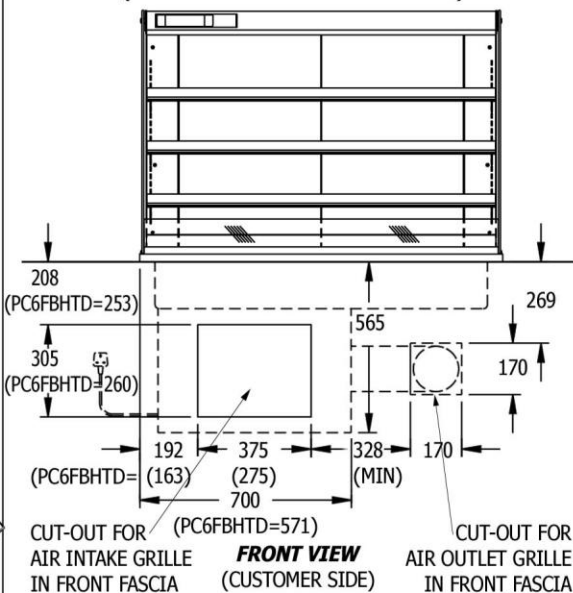
FIX LIFTING BRACKETS TO FRAME END FLANGES USING SCREWS ALREADY IN FLANGES, THEN LOCATE LIFTING BARS INTO SQUARE HOLES.



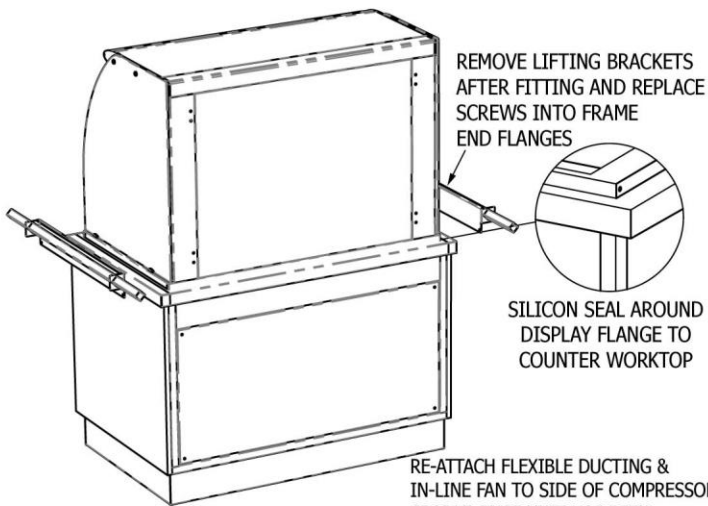
- REMOVABLE FASCIA PANEL (BY OTHERS)
- STANDARD STAINLESS STEEL AIR GRILLE (SUPPLIED BY CED)
- PLENUM OR 4 SIDED TUNNEL (BY OTHERS)
- STAINLESS STEEL AIR FLOW KIT GRILLE (SUPPLIED BY CED)

**FRONT ISOMETRIC**  
(CUSTOMER SIDE)

### B) AIR INTAKE & OUTLET CUT-OUTS (CUSTOMER SIDE FASCIA PANEL)



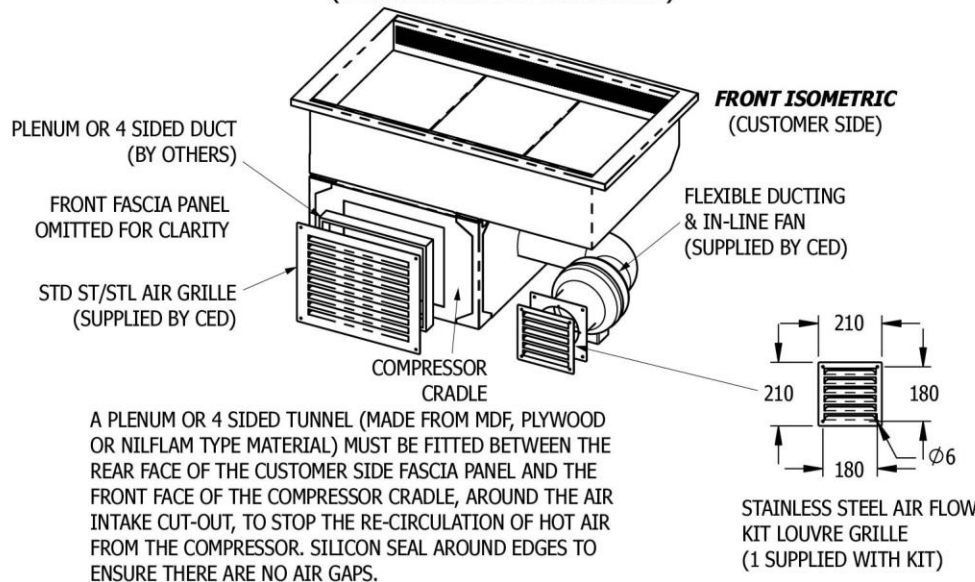
### C) FITTING INTO COUNTER WORKTOP



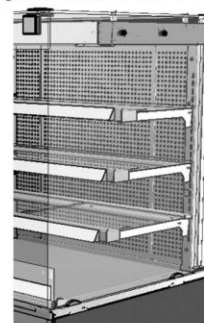
**REAR ISOMETRIC**  
(OPERATOR SIDE)

RE-ATTACH FLEXIBLE DUCTING & IN-LINE FAN TO SIDE OF COMPRESSOR CRADLE ONCE UNIT HAS BEEN DROPPED INTO PLACE. ELECTRICALLY CONNECT FAN TO CONTROL BOX WITH "KETTLE PLUG"

### E) AIR INTAKE TUNNEL / PLENUM FITTING (CUSTOMER SIDE FASCIA PANEL)



### D) FITTING SHELVES



LOCATE SHELF SUPPORT BRACKETS INTO REAR SLOTS AT HEIGHT & ANGLE TO SUIT PRODUCTS (NOTE: 2 No. BRACKETS WITH GLASS STOPS TO BE FITTED AT BTM.). PUSH ON 3 x GREY SILICON SHELF RESTS ONTO EACH BRACKET BEFORE GLASS SHELVES ARE LOWERED ON (NOTE: 1 No. SHORT SHELF TO BE FITTED AT BTM.)

### F) FITTING OF LOUVRE GRILLES

