

SELF HELP CHILLED PATISSERIE (FIXED BACK) - R290 WITH AIRFLOW KIT PAF2 (IN/OUT TO OPERATOR SIDE)

- FITTING INSTRUCTIONS



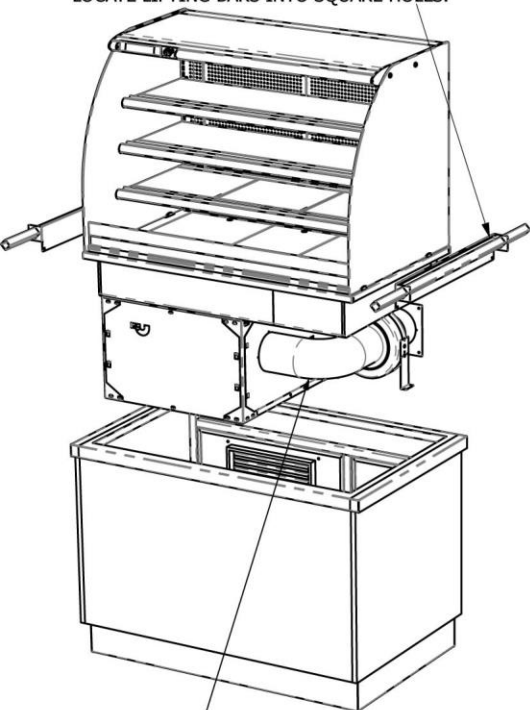
General Installation Considerations

- Area in which display is to be sited must have a minimum room floor area not less than 17 sq m (PC6FBHTD), 26 sq m (PC9FBHTD), 28 sq m (PC12FBHTD) or 29 sq m (PC15&18FBHTD).
- Install over a sealed floor or ventilated floor void.
- Do not site the display within 2m of ceiling mounted air conditioning grilles.
- Do not site the display beneath a high level of direct sunlight.
- Display will operate in a 24 hour environment.
- Access to maintain condensing unit should be made via removable fascia panels or doors to customer and operator side of counter.

A) WORKTOP CUT-OUT

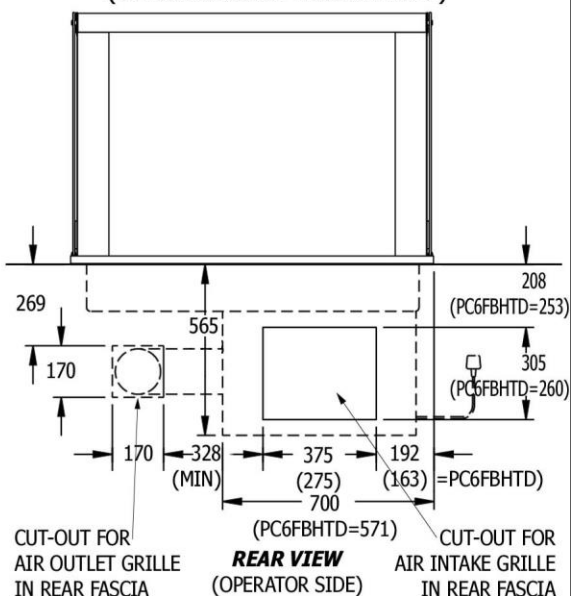
Model Ref.	Worktop Cut Out Size (mm)		Model Weight (in Kg)
	Length	Width	
PC6FBHTD+PAF2	570	740	146
PC9FBHTD+PAF2	870	740	193
PC12FBHTD+PAF2	1170	740	245
PC15FBHTD+PAF2	1470	740	299
PC18FBHTD+PAF2	1770	740	351

FIX LIFTING BRACKETS TO FRAME END FLANGES USING SCREWS ALREADY IN FLANGES, THEN LOCATE LIFTING BARS INTO SQUARE HOLES.

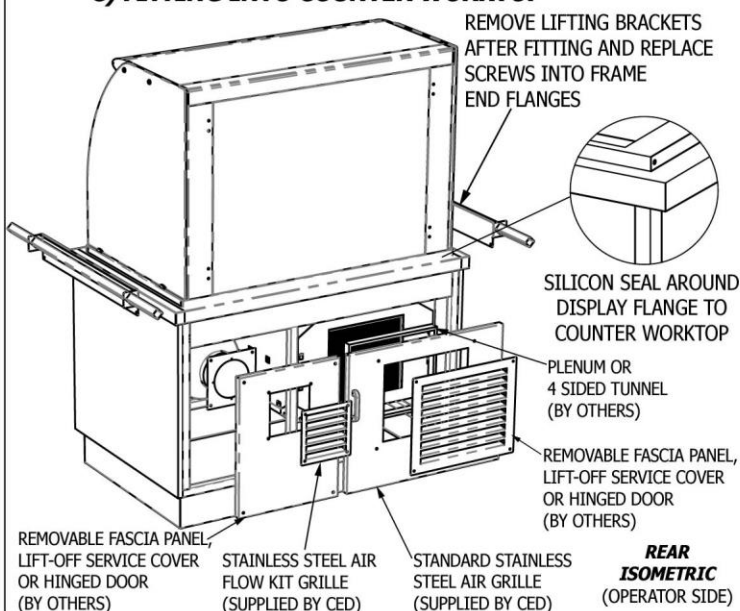


FRONT ISOMETRIC
(CUSTOMER SIDE)

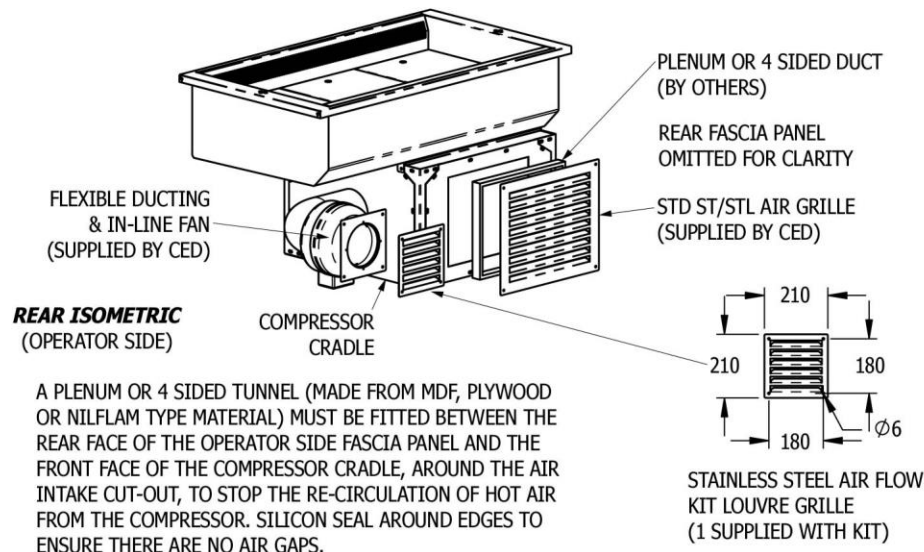
B) AIR INTAKE & OUTLET CUT-OUTS (OPERATOR SIDE FASCIA PANEL)



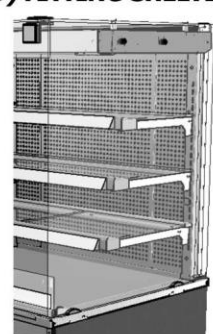
C) FITTING INTO COUNTER WORKTOP



E) AIR INTAKE TUNNEL / PLENUM FITTING (OPERATOR SIDE FASCIA PANEL)



D) FITTING SHELVES



LOCATE SHELF SUPPORT BRACKETS INTO REAR SLOTS AT HEIGHT & ANGLE TO SUIT PRODUCTS (NOTE: 2 No. BRACKETS WITH GLASS STOPS TO BE FITTED AT BTM.). PUSH ON 3 x GREY SILICON SHELF RESTS ONTO EACH BRACKET BEFORE GLASS SHELVES ARE LOWERED ON (NOTE: 1 No. SHORT SHELF TO BE FITTED AT BTM.)

F) FITTING OF LOUVRE GRILLES

