

# SELF HELP CHILLED PATISSERIE (FIXED BACK) HYDROCARBON TYPE - R290 REFRIGERANT

# - FITTING INSTRUCTIONS



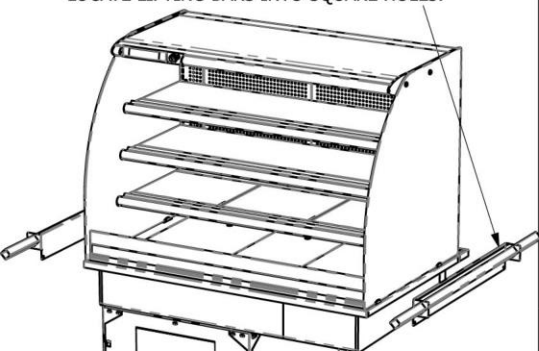
## General Installation Considerations

- Area in which display is to be sited must have a minimum room floor area no less than 17 sq m (PC6FBHTD), 26 sq m (PC9FBHTD), 28 sq m (PC12FBHTD) or 29 sq m (PC15&18FBHTD).
- Install over a sealed floor or ventilated floor void.
- Do not site the display within 2m of ceiling mounted air conditioning grilles.
- Do not site the display beneath a high level of direct sunlight.
- Display will operate in a 24 hour environment.
- Access to maintain condensing unit should be made via removable fascia panels or doors to customer and operator side of counter.

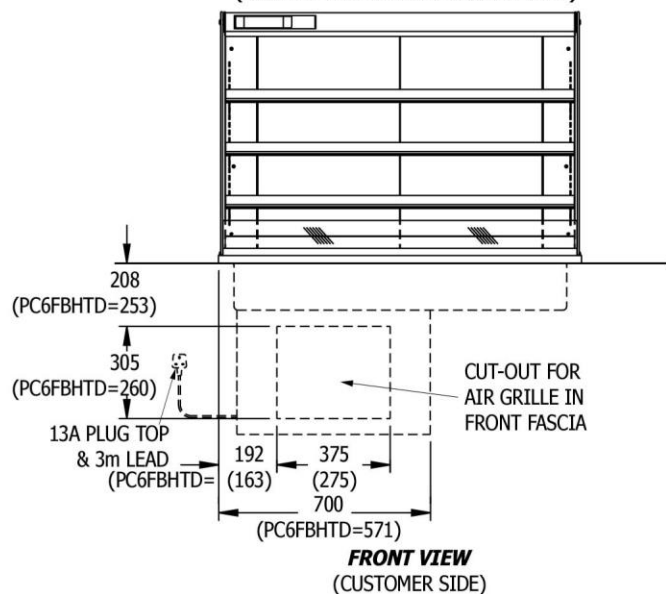
### A) WORKTOP CUT-OUT

Model Ref.	Worktop Cut Out Size (mm)		Model Weight (in Kg)
	Length	Width	
PC6FBHTD	570	820	141
PC9FBHTD	870	820	188
PC12FBHTD	1170	820	240
PC15FBHTD	1470	820	294
PC18FBHTD	1770	820	346

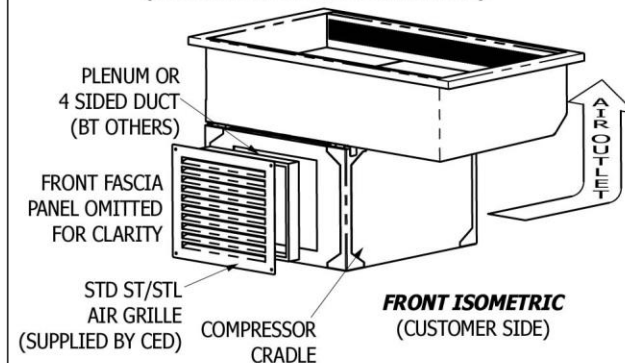
FIX LIFTING BRACKETS TO FRAME END FLANGES USING SCREWS ALREADY IN FLANGES, THEN LOCATE LIFTING BARS INTO SQUARE HOLES.



### B) AIR INTAKE CUT-OUT (CUSTOMER SIDE FASCIA PANEL)

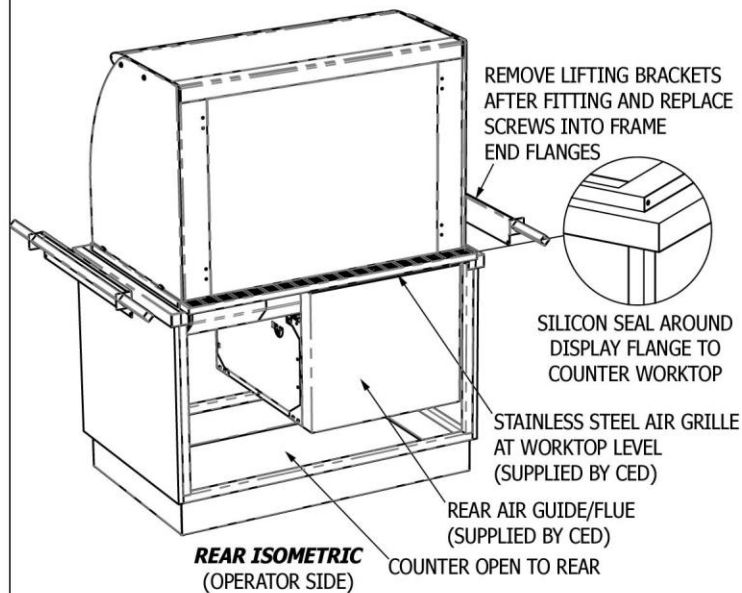


### E) AIR INTAKE TUNNEL / PLENUM FITTING (CUSTOMER SIDE FASCIA PANEL)

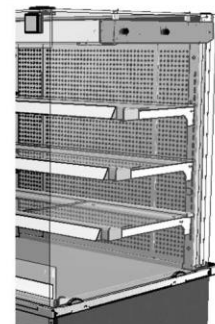


A PLENUM OR 4 SIDED TUNNEL (MADE FROM MDF, PLYWOOD OR NILFLAM TYPE MATERIAL) MUST BE FITTED BETWEEN THE REAR FACE OF THE CUSTOMER SIDE FASCIA PANEL AND THE FRONT FACE OF THE COMPRESSOR CRADLE, AROUND THE AIR INTAKE CUT-OUT, TO STOP THE RE-CIRCULATION OF HOT AIR FROM THE COMPRESSOR. SILICON SEAL AROUND EDGES TO ENSURE THERE ARE NO AIR GAPS.

### C) FITTING INTO COUNTER WORKTOP

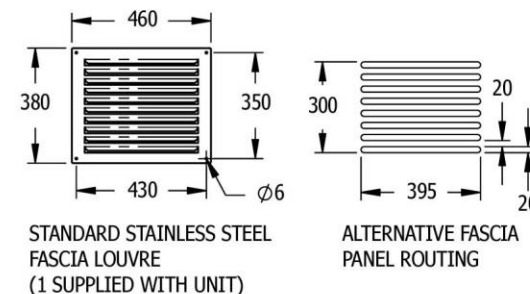


### D) FITTING SHELVES



LOCATE SHELF SUPPORT BRACKETS INTO REAR SLOTS AT HEIGHT & ANGLE TO SUIT PRODUCTS (NOTE: SHORTEST BRACKETS AT TOP AND LONGEST BRACKETS AT BTM). REST GLASS SHELVES ONTO RUBBER BUMPERS ON SHELF SUPPORTS. (NOTE HALF-LENGTH SHELVES ARE LOCATED ON BOTTOM TO ALLOW FOR TALLER BOTTLES ON DECK)

### F) FITTING OF LOUVRE GRILLES



REMOVABLE FASCIA PANEL (BY OTHERS)  
PLENUM OR 4 SIDED TUNNEL (BY OTHERS)  
STANDARD STAINLESS STEEL AIR GRILLE (SUPPLIED BY CED)

FRONT ISOMETRIC (CUSTOMER SIDE)



Tel. 01254 238 282 Fax. 01254 238 228  
e-mail: aftersales@cedlimited.com