

SELF HELP CHILLED PATISSERIE (REAR DOORS) - R290 - FITTING INSTRUCTIONS WITH AIRFLOW KIT PAF2 (IN/OUT TO OPERATOR SIDE)



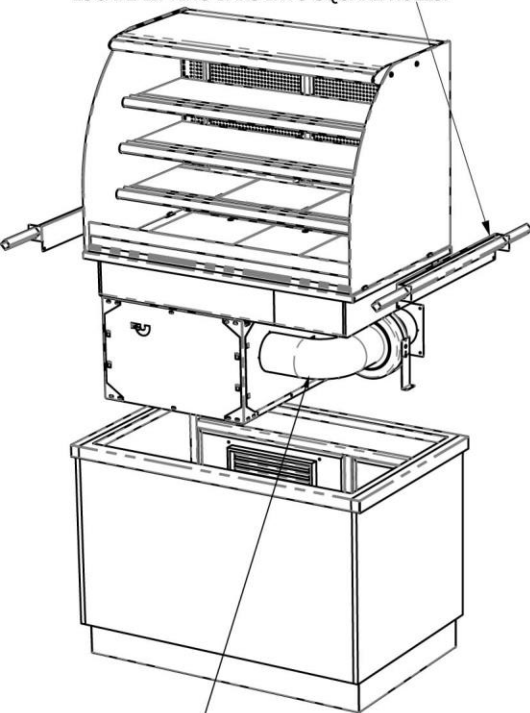
General Installation Considerations

- Area in which display is to be sited must have a minimum room floor area no less than 17 sq m (PC6HTD), 26 sq m (PC9HTD), 28 sq m (PC12HTD) or 29 sq m (PC15&18HTD).
- Install over a sealed floor or ventilated floor void.
- Do not site the display within 2m of ceiling mounted air conditioning grilles.
- Do not site the display beneath a high level of direct sunlight.
- Display will operate in a 24 hour environment.
- Access to maintain condensing unit should be made via removable fascia panels or doors to customer and operator side of counter.

A) WORKTOP CUT-OUT

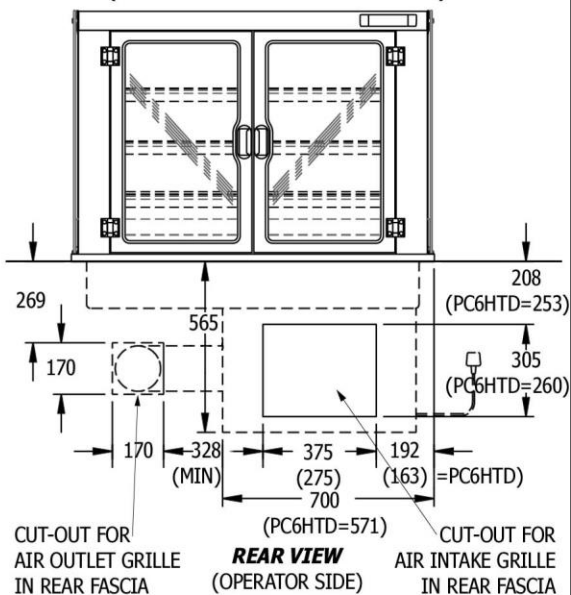
Model Ref.	Worktop Cut Out Size (mm)		Model Weight (in Kg)
	Length	Width	
PC6HTD+PAF2	570	740	146
PC9HTD+PAF2	870	740	193
PC12HTD+PAF2	1170	740	245
PC15HTD+PAF2	1470	740	299
PC18HTD+PAF2	1770	740	351

FIX LIFTING BRACKETS TO FRAME END FLANGES USING SCREWS ALREADY IN FLANGES, THEN LOCATE LIFTING BARS INTO SQUARE HOLES.

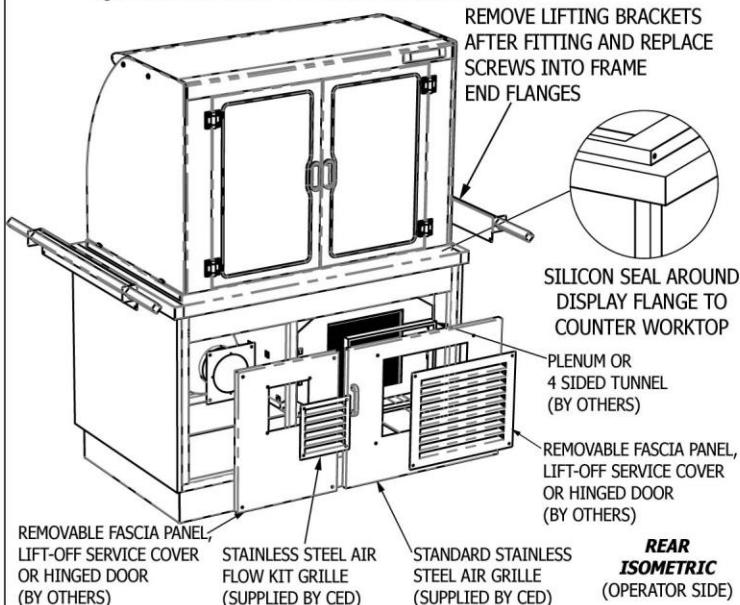


FRONT ISOMETRIC
(CUSTOMER SIDE)

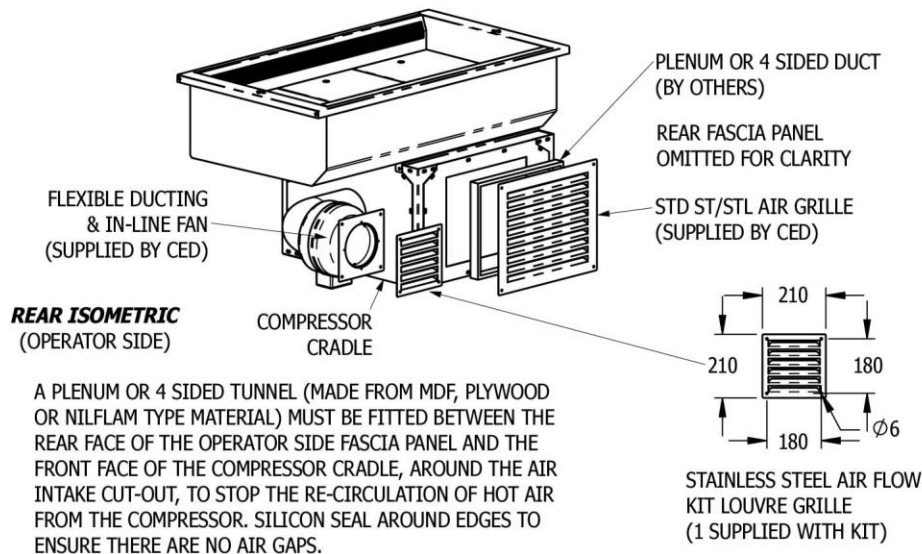
B) AIR INTAKE & OUTLET CUT-OUTS (OPERATOR SIDE FASCIA PANEL)



C) FITTING INTO COUNTER WORKTOP



E) AIR INTAKE TUNNEL / PLENUM FITTING (OPERATOR SIDE FASCIA PANEL)



D) FITTING SHELVES



F) FITTING OF LOUVRE GRILLES

