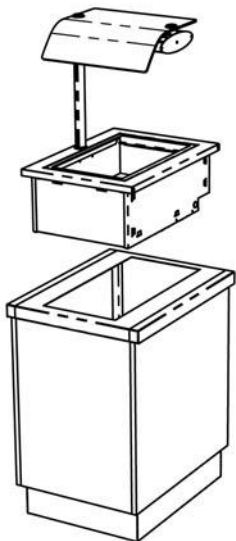




SELF HELP 1-IGN DRY HEAT BAIN MARIE - FITTING INSTRUCTIONS

A) WORKTOP CUT-OUT

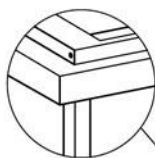
445mm L X 650mm D



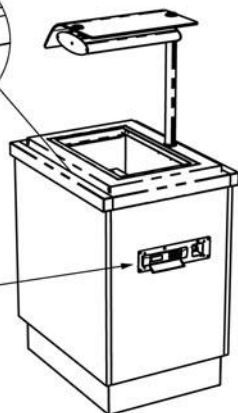
FRONT ISOMETRIC
(CUSTOMER SIDE)

B) FITTING INTO COUNTER WORKTOP

SILICON SEAL AROUND DISPLAY
FLANGE TO COUNTER WORKTOP



LOCATE CONTROLLER
MIN. 300mm BELOW
WORKTOP OR IN
ADJACENT HOUSING
IF 215mm CANNOT
BE ALLOWED FOR
BEHIND CONTROLLER



REAR ISOMETRIC
(OPERATOR SIDE)

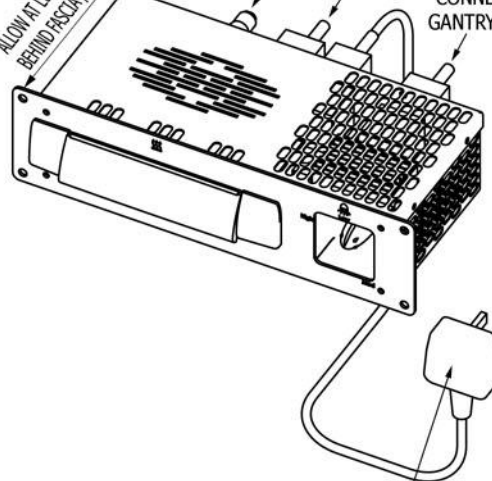
C) CONNECTIONS TO CONTROLLER UNIT

CONNECTOR PLUG FROM
TEMPERATURE PROBE

BLACK
CONNECTOR PLUG TO
HEATING ELEMENT

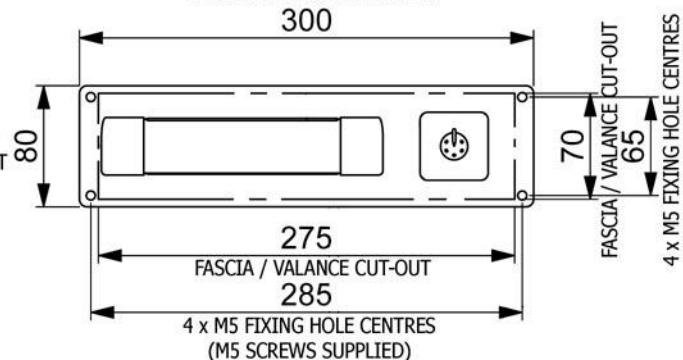
WHITE
CONNECTOR PLUG TO
GANTRY QUARTZ LIGHT

ALLOW AT LEAST 215mm
BEHIND FASCIA / VALANCE



CONTROLLER UNIT FITTED
WITH 2m LEAD & 13A PLUG

D) CONTROLLER UNIT MOUNTING DETAILS



Tel. 01254 238 282 Fax. 01254 238 228
e-mail: aftersales@cedlimited.com