

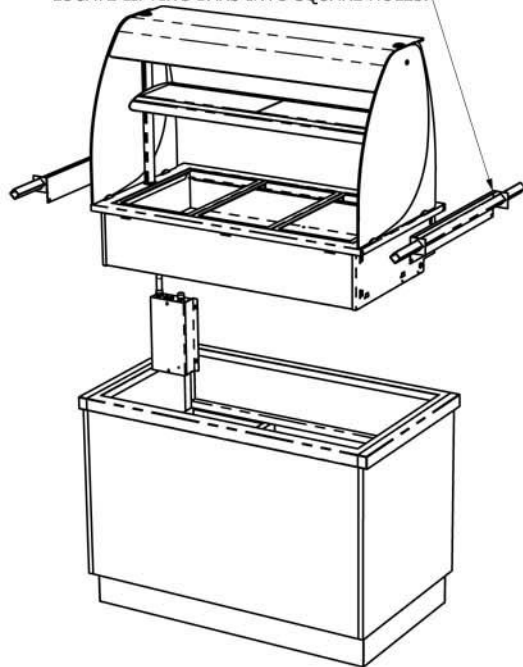
# SELF HELP DRY HEAT BAIN MARIE & HEATED MID SHELF - FITTING INSTRUCTIONS



## A) WORKTOP CUT-OUT

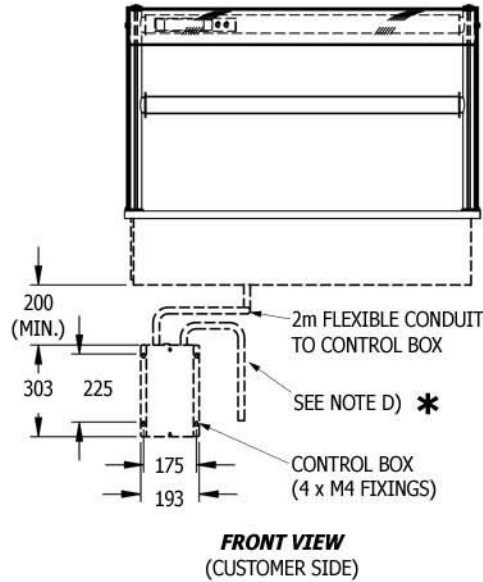
Model Ref.	Worktop Cut Out Size (mm)		Model Weight (in Kg)
	Length	Width	
HBM2PS	795	650	55
HBM3PS	1145	650	66
HBM4PS	1495	650	77
HBM5PS	1845	650	88

FIX LIFTING BRACKETS TO FRAME END FLANGES USING SCREWS ALREADY IN FLANGES, THEN LOCATE LIFTING BARS INTO SQUARE HOLES.



**FRONT ISOMETRIC**  
(CUSTOMER SIDE)

## B) LOCATING OF CONTROL BOX



**FRONT VIEW**  
(CUSTOMER SIDE)

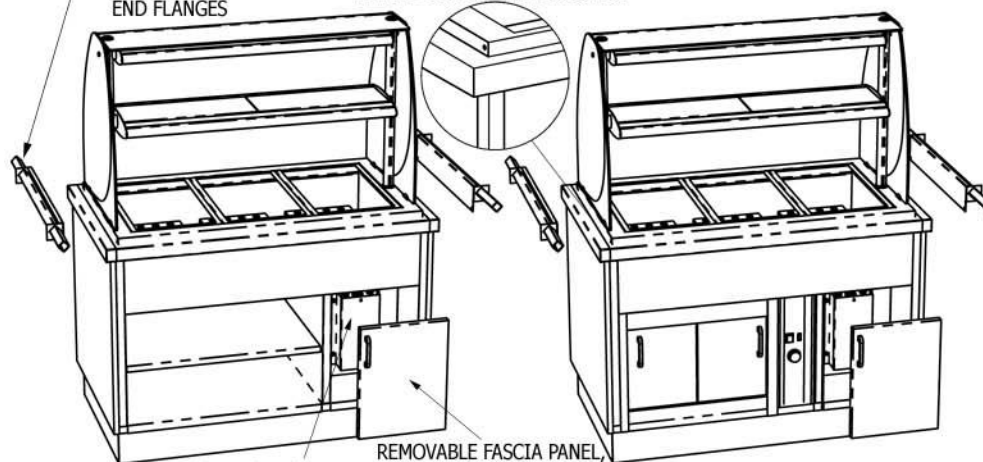
**Recommended Control Box Positioning**  
Site the control box preferably to an upright surface, in an accessible service void, adjacent to or below the display unit (minimum clearance below underside of display unit = 200mm).

**Incorrect Control Box Positioning**  
The control box must not be located  
1) directly to the underside of the display unit,  
2) above a hot cupboard or,  
3) where ambient temperature is above 40°C,  
4) where likely to allow ingress of water i.e. wet floor areas.

## C) FITTING INTO COUNTER WORKTOP

REMOVE LIFTING BRACKETS AFTER FITTING AND REPLACE SCREWS INTO FRAME END FLANGES

SILICON SEAL AROUND DISPLAY FLANGE TO COUNTER WORKTOP



**REAR ISOMETRIC**  
ABOVE SHELIVING  
(OPERATOR SIDE)

CONTROL BOX  
SEE NOTES ABOVE  
FOR POSITIONING

REMOVABLE FASCIA PANEL,  
LIFT-OFF SERVICE COVER  
OR HINGED DOOR  
(BY OTHERS)

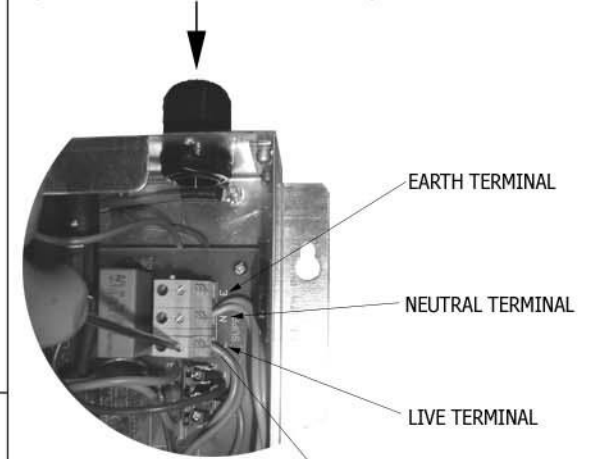
**REAR ISOMETRIC**  
ABOVE HOT CUPBOARD  
(OPERATOR SIDE)

## \* D) FOR MODELS ABOVE 3kW

### INCOMING ELECTRICAL SUPPLY DETAILS

Model Ref.	Current	Voltage	Power
HBM3PS	16A	230V	3.3kW
HBM4PS	20A	230V	4.4kW
HBM5PS	32A	230V	5.5kW

INCOMING ELECTRICAL SUPPLY  
(SEE TABLE ABOVE FOR SUPPLY DETAILS)



**CLOSE-UP OF INCOMING WIRING DETAIL**



**INSIDE LAYOUT OF CONTROL BOX**



Tel. 01254 238 282 Fax. 01254 238 228

e-mail: [aftersales@cedlimited.com](mailto:aftersales@cedlimited.com)