



SELF SERVICE HEATED GANTRIES - FITTING INSTRUCTIONS

HEATED GANTRIES

Model Ref.	Dim "X"
HG2	750
HG3	1100
HG4	1450
HG5	1800
HG6	2150

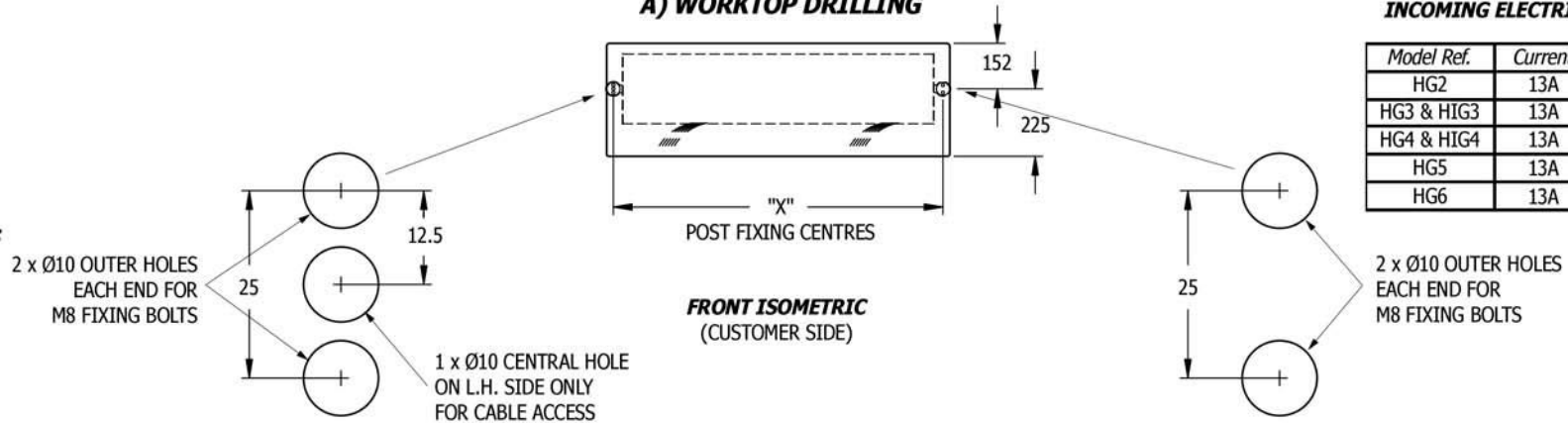
HEATED ISLAND GANTRIES

Model Ref.	Dim "X"
HIG3	1100
HIG4	1450

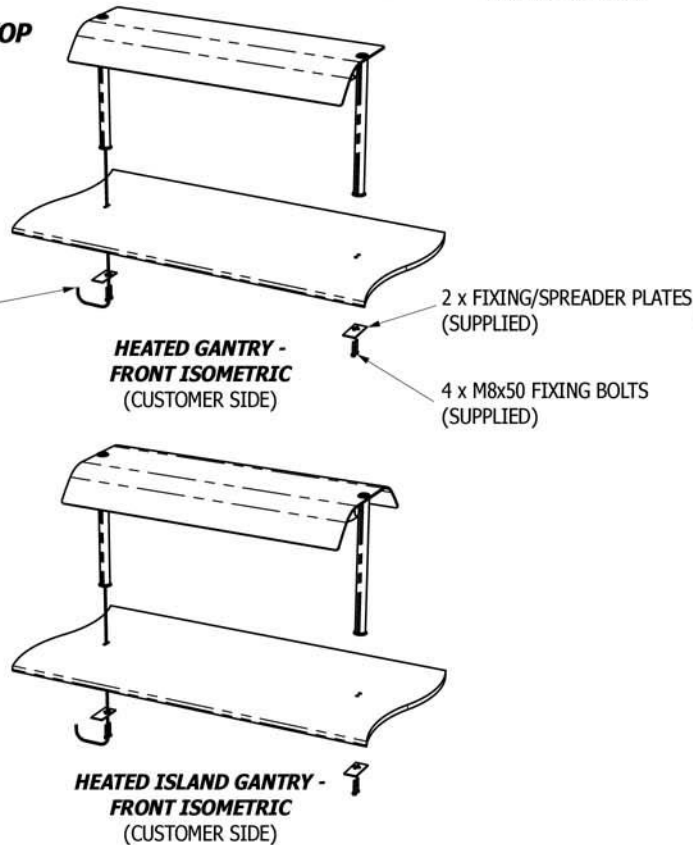
INCOMING ELECTRICAL SUPPLY DETAILS

Model Ref.	Current	Voltage	Power
HG2	13A	230V	0.6kW
HG3 & HIG3	13A	230V	0.9kW
HG4 & HIG4	13A	230V	1.2kW
HG5	13A	230V	1.5kW
HG6	13A	230V	1.8kW

A) WORKTOP DRILLING

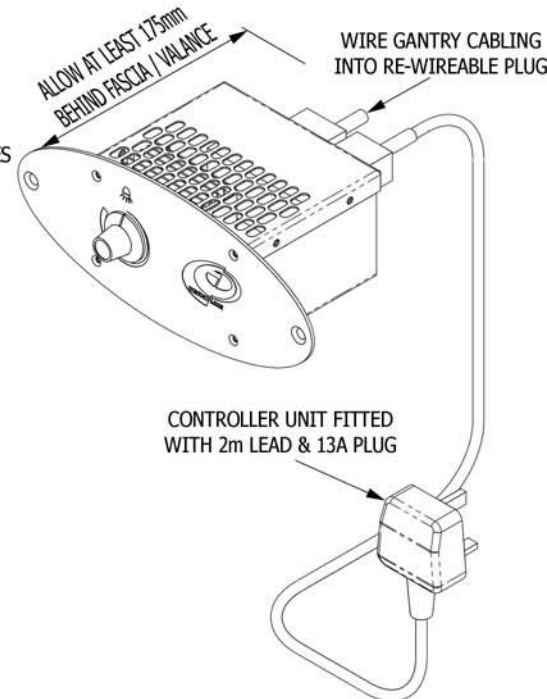


B) FITTING TO WORKTOP



UNIT SUPPLIED WITH 2m LEAD FOR WIRING TO CUSTOMER'S OWN CONTROL CIRCUIT OR OPTIONAL QUARTZ CONTROLLER - PASS WIRE THROUGH CENTRAL HOLE ON LHS OF WORKTOP & SPREADER PLATE AND WIRE INTO CIRCUIT OR QUARTZ CONTROLLER (SEE C)

C) WIRING TO OPTIONAL QUARTZ CONTROLLER



D) MOUNTING OPTIONAL QUARTZ CONTROLLER

