



# SELF SERVICE HEATED GANTRIES - FITTING INSTRUCTIONS

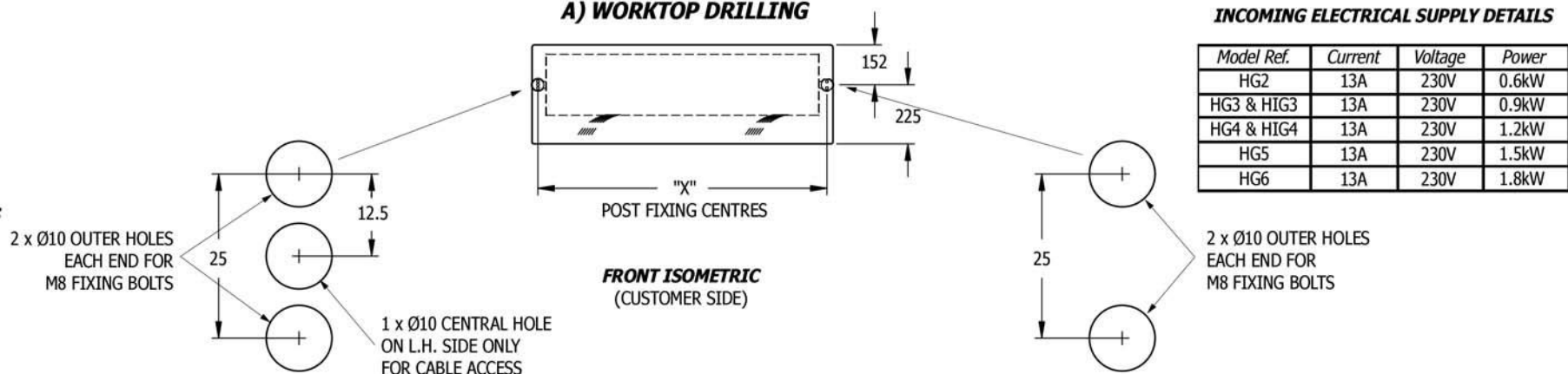
## HEATED GANTRIES

Model Ref.	Dim "X"
HG2	750
HG3	1100
HG4	1450
HG5	1800
HG6	2150

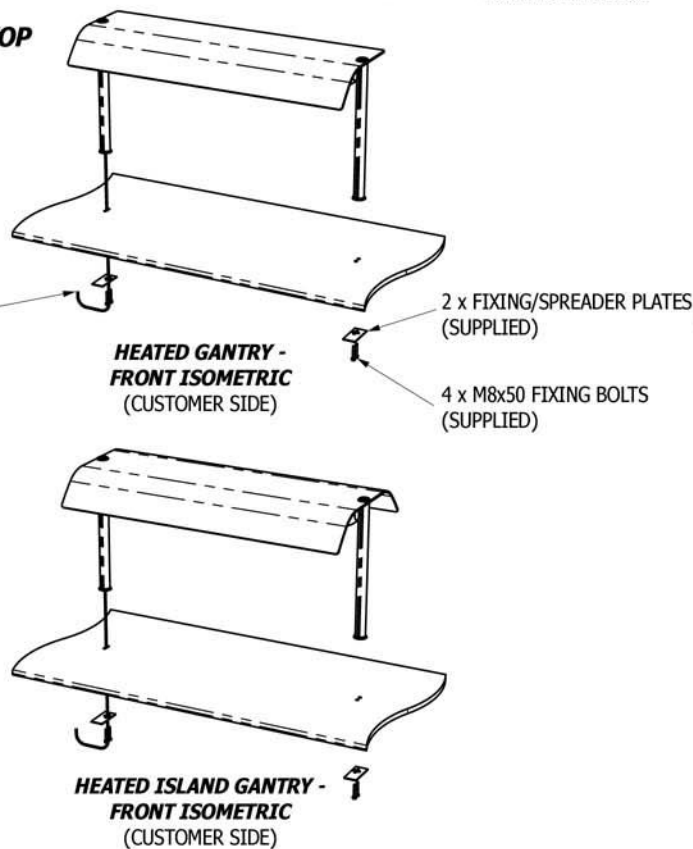
## HEATED ISLAND GANTRIES

Model Ref.	Dim "X"
HIG3	1100
HIG4	1450

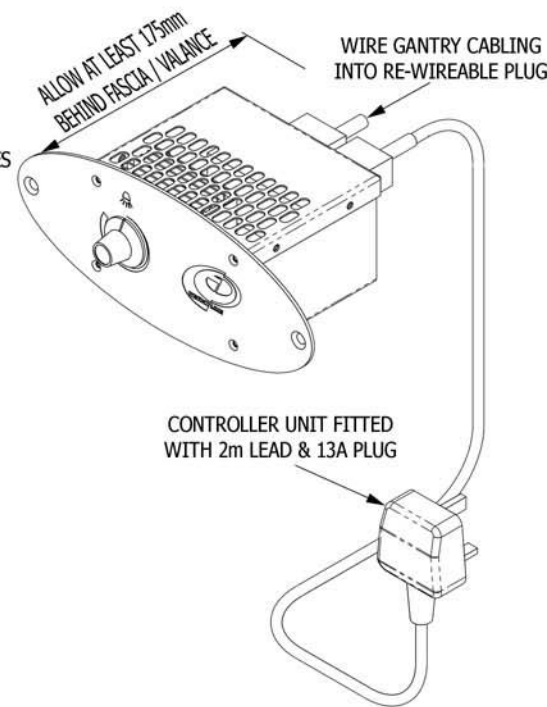
## A) WORKTOP DRILLING



## B) FITTING TO WORKTOP



## C) WIRING TO OPTIONAL QUARTZ CONTROLLER



## D) MOUNTING OPTIONAL QUARTZ CONTROLLER

