



SELF SERVICE DRY HEAT BAIN MARIE (NO GANTRY) - FITTING INSTRUCTIONS

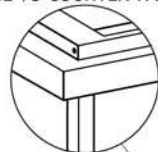
TOP HEAT TO BE SUPPLIED (BY OTHERS) i.e. 300W QUARTZ INFRA-RED LAMPS,
 1 PER G_n SECTION, MOUNTED AT 430mm ABOVE BASE SURFACE.
 IF NO TOP HEAT IS PROVIDED, ALL FOOD CONTAINERS REQUIRE LIDS.
 PRODUCT DISPLAY MAY ALSO REQUIRE SNEEZE GUARD PROTECTION (BY OTHERS).

A) WORKTOP CUT-OUT

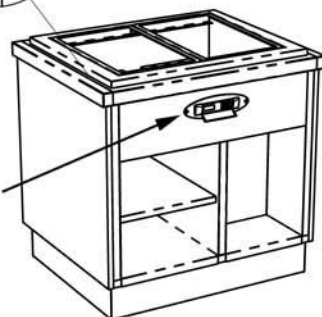
Model Ref.	Worktop Cut Out Size (mm)	
	Length	Width
HBM1NG	445	650
HBM2NG	795	650
HBM3NG	1145	650
HBM4NG	1495	650
HBM5NG	1845	650
HBM6NG	2195	650

B) FITTING INTO COUNTER WORKTOP

SILICON SEAL AROUND DISPLAY FLANGE TO COUNTER WORKTOP

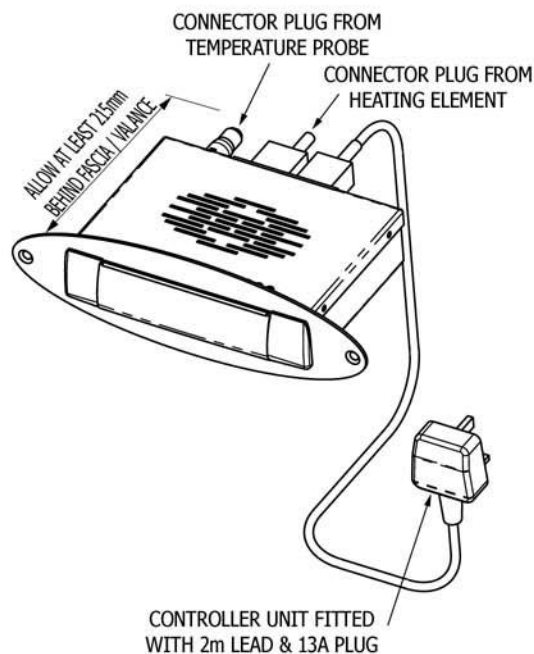


LOCATE CONTROLLER MIN. 250mm BELOW WORKTOP OR IN ADJACENT HOUSING

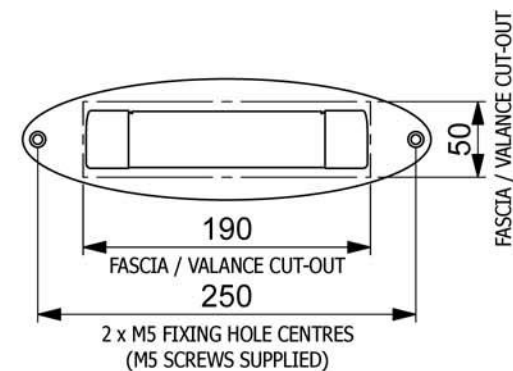


REAR ISOMETRIC
(OPERATOR SIDE)

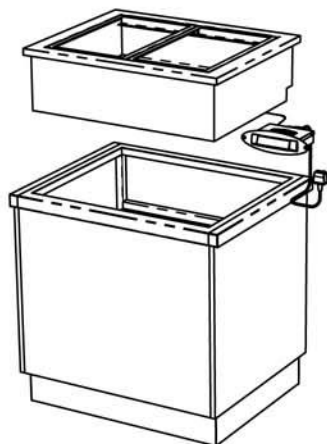
C) CONNECTIONS TO CONTROLLER UNIT



D) CONTROLLER UNIT MOUNTING DETAILS



* DO NOT SITE CONTROL PANEL ABOVE HEAT SOURCE OVER 40°C
 i.e. UNINSULATED HOT CUPBOARDS



FRONT ISOMETRIC
(CUSTOMER SIDE)

