

ASSISTED SERVICE CHILLED PÂTISSERIE (REAR DOORS) - R290 - FITTING INSTRUCTIONS



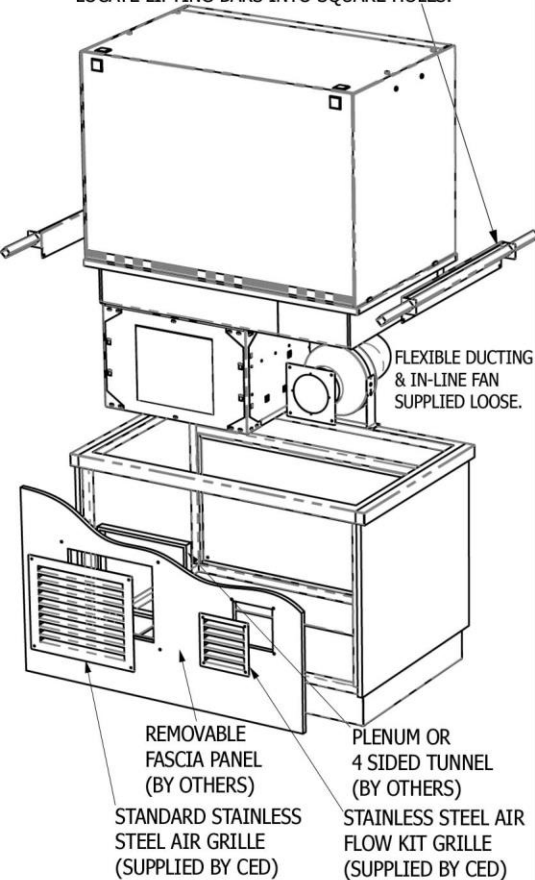
General Installation Considerations

- 1) Area in which display is to be sited must have a minimum room floor area not less than 17 sq m (KPC6&9ASHTD), 21 sq m (KPC12ASHTD) or 29 sq m (KPC15&18ASHTD).
- 2) Install over a sealed floor or ventilated floor void.
- 3) Do not site the display within 2m of ceiling mounted air conditioning grilles.
- 4) Do not site the display beneath a high level of direct sunlight.
- 5) Display will operate in a 24 hour environment.
- 6) Access to maintain condensing unit should be made via removable fascia panels or doors to customer and operator side of counter.

A) WORKTOP CUT-OUT

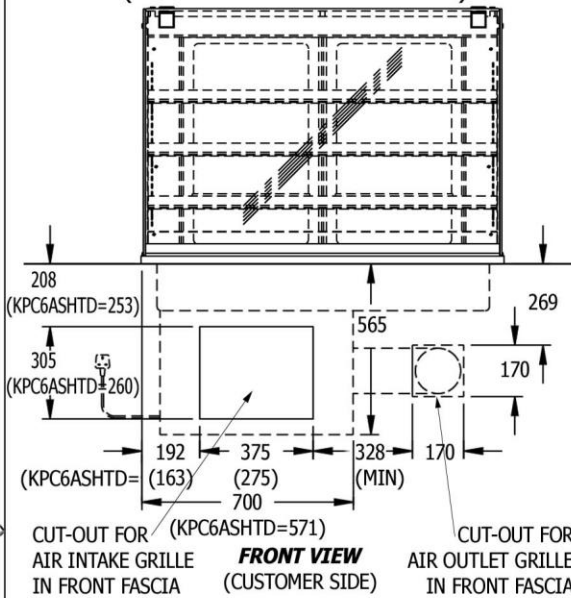
Model Ref.	Worktop Cut Out Size (mm)		Model Weight (in Kg)
	Length	Width	
KPC6ASHTD+PAF1	570	740	149
KPC9ASHTD+PAF1	870	740	196
KPC12ASHTD+PAF1	1170	740	248
KPC15ASHTD+PAF1	1470	740	303
KPC18ASHTD+PAF1	1770	740	354

FIX LIFTING BRACKETS TO FRAME END FLANGES USING SCREWS ALREADY IN FLANGES, THEN LOCATE LIFTING BARS INTO SQUARE HOLES.

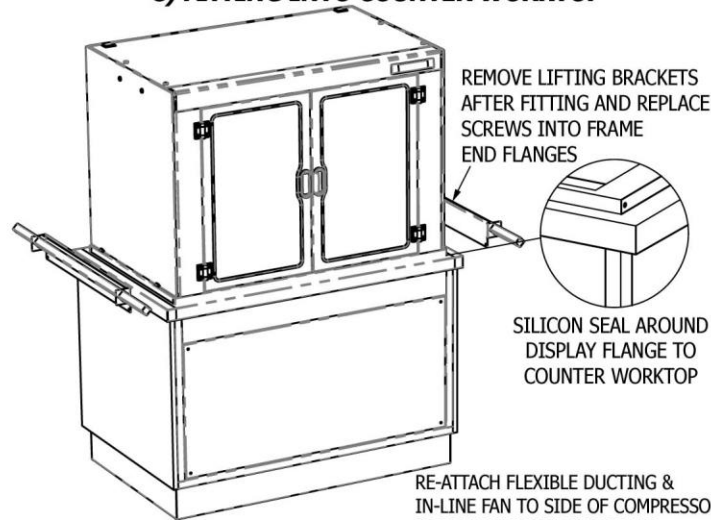


FRONT ISOMETRIC
(CUSTOMER SIDE)

B) AIR INTAKE & OUTLET CUT-OUTS (CUSTOMER SIDE FASCIA PANEL)



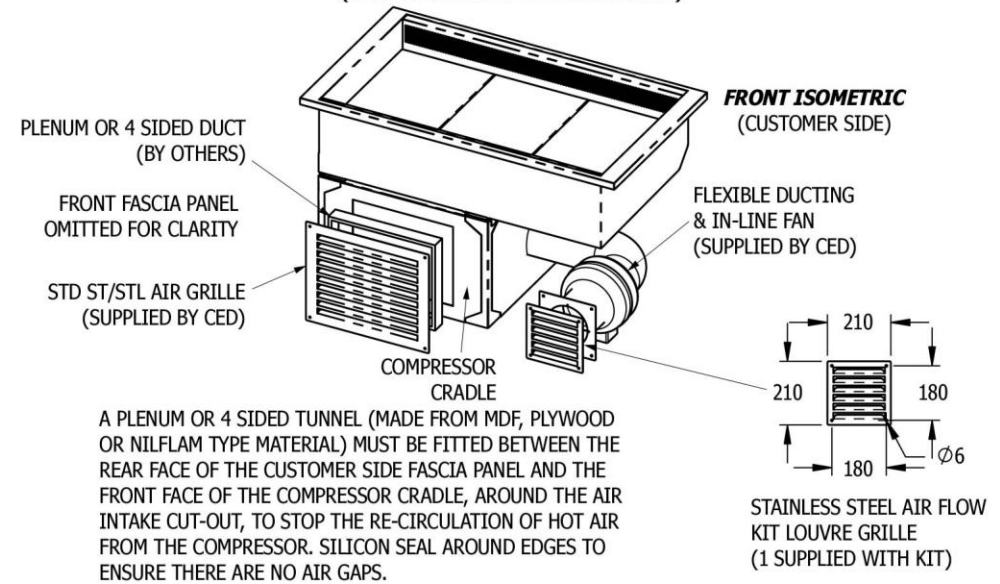
C) FITTING INTO COUNTER WORKTOP



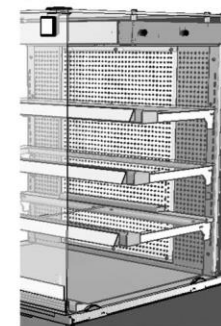
REAR ISOMETRIC
(OPERATOR SIDE)

RE-ATTACH FLEXIBLE DUCTING & IN-LINE FAN TO SIDE OF COMPRESSOR CRADLE ONCE UNIT HAS BEEN DROPPED INTO PLACE. ELECTRICALLY CONNECT FAN TO CONTROL BOX WITH "KETTLE PLUG"

E) AIR INTAKE TUNNEL / PLENUM FITTING (CUSTOMER SIDE FASCIA PANEL)



D) FITTING SHELVES



LOCATE SHELF SUPPORT BRACKETS INTO REAR SLOTS AT HEIGHT & ANGLE TO SUIT PRODUCTS (NOTE: 2 No. BRACKETS WITH GLASS STOPS TO BE FITTED AT BTM.). PUSH ON 3 x GREY SILICON SHELF RESTS ONTO EACH BRACKET BEFORE GLASS SHELVES ARE LOWERED ON (NOTE: 1 No. SHORT SHELF TO BE FITTED AT BTM.)

F) FITTING OF LOUVRE GRILLES

