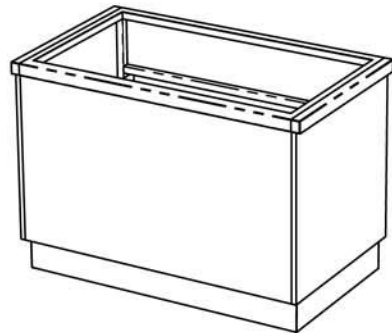
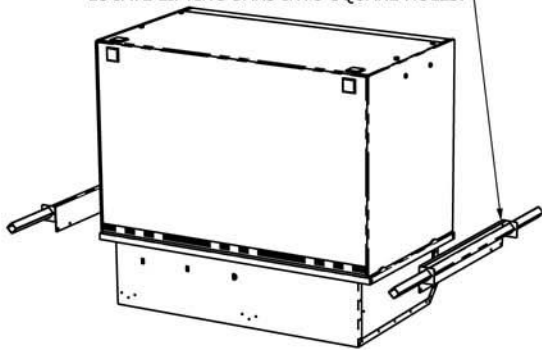


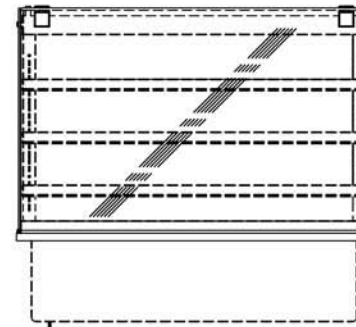
## A) WORKTOP CUT-OUT

| Model Ref. | Worktop Cut Out Size (mm) |       | Model Weight (in Kg) |
|------------|---------------------------|-------|----------------------|
|            | Length                    | Width |                      |
| KMDA2AS    | 795                       | 650   | 73                   |
| KMDA3AS    | 1145                      | 650   | 117                  |
| KMDA4AS    | 1495                      | 650   | 162                  |

FIX LIFTING BRACKETS TO FRAME END FLANGES USING SCREWS ALREADY IN FLANGES, THEN LOCATE LIFTING BARS INTO SQUARE HOLES.



**FRONT ISOMETRIC**  
(CUSTOMER SIDE)

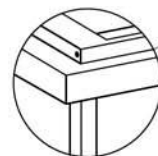


13A PLUG TOP  
& 2m LEAD

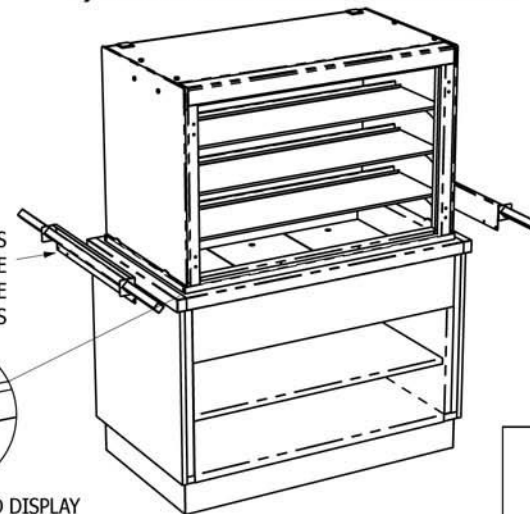
**FRONT VIEW**  
(CUSTOMER SIDE)

## B) FITTING INTO COUNTER WORKTOP

REMOVE LIFTING BRACKETS AFTER FITTING AND REPLACE SCREWS INTO FRAME END FLANGES



SILICON SEAL AROUND DISPLAY FLANGE TO COUNTER WORKTOP



**REAR ISOMETRIC**  
(OPERATOR SIDE)