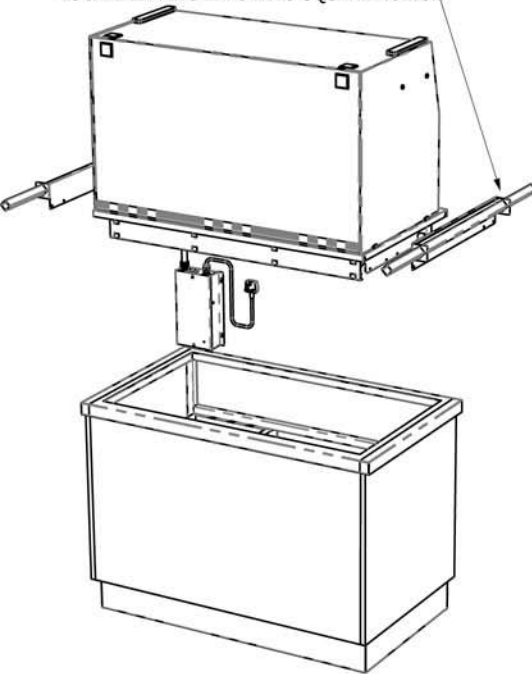


## A) WORKTOP CUT-OUT

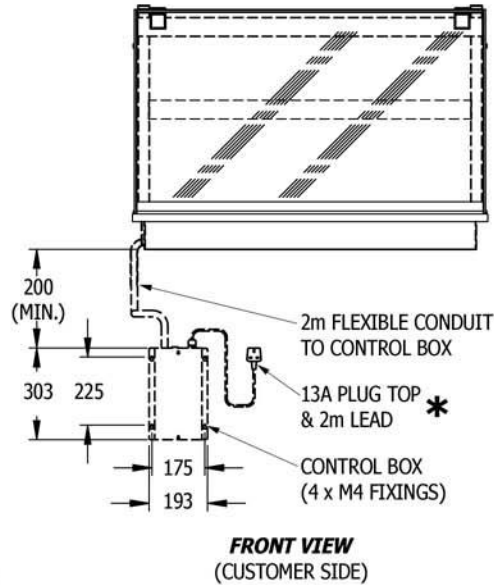
Model Ref.	Worktop Cut Out Size (mm)		Model Weight (in Kg)
	Length	Width	
KHP2PS + KAS2PS	795	650	72
KHP3PS + KAS3PS	1145	650	89
KHP4PS + KAS4PS	1495	650	106
KHP5PS + KAS5PS	1845	650	130

FIX LIFTING BRACKETS TO FRAME END FLANGES USING SCREWS ALREADY IN FLANGES, THEN LOCATE LIFTING BARS INTO SQUARE HOLES.



**FRONT ISOMETRIC**  
(CUSTOMER SIDE)

## B) LOCATING OF CONTROL BOX



**FRONT VIEW**  
(CUSTOMER SIDE)

**Recommended Control Box Positioning**  
Site the control box preferably to an upright surface, in an accessible service void, adjacent to or below the display unit (minimum clearance below underside of display unit = 200mm).

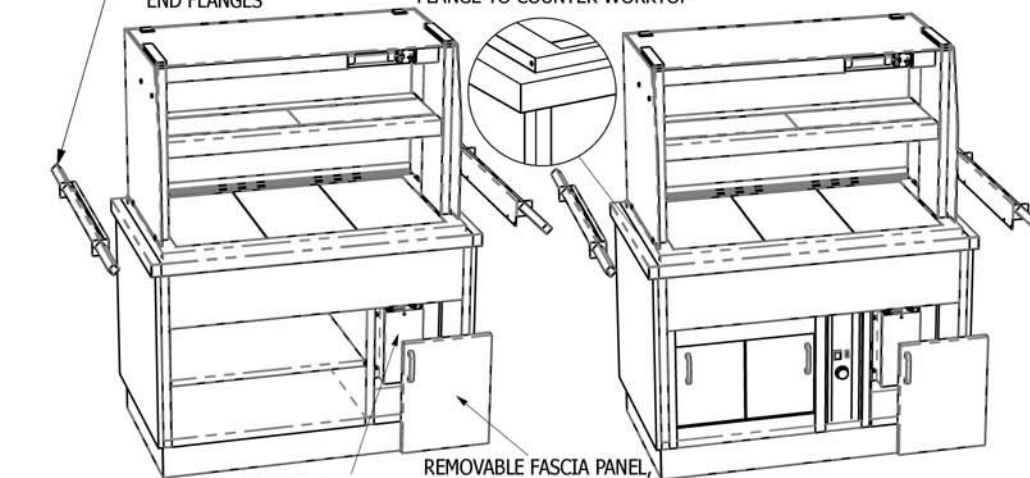
**Incorrect Control Box Positioning**  
The control box must not be located

- 1) directly to the underside of the display unit,
- 2) above a hot cupboard or,
- 3) where ambient temperature is above 40°C,
- 4) where likely to allow ingress of water i.e. wet floor areas.

REMOVE LIFTING BRACKETS AFTER FITTING AND REPLACE SCREWS INTO FRAME END FLANGES

## C) FITTING INTO COUNTER WORKTOP

SILICON SEAL AROUND DISPLAY FLANGE TO COUNTER WORKTOP



**REAR ISOMETRIC**  
ABOVE SHELVING  
(OPERATOR SIDE)

CONTROL BOX  
SEE NOTES ABOVE  
FOR POSITIONING

REMOVABLE FASCIA PANEL,  
LIFT-OFF SERVICE COVER  
OR HINGED DOOR  
(BY OTHERS)

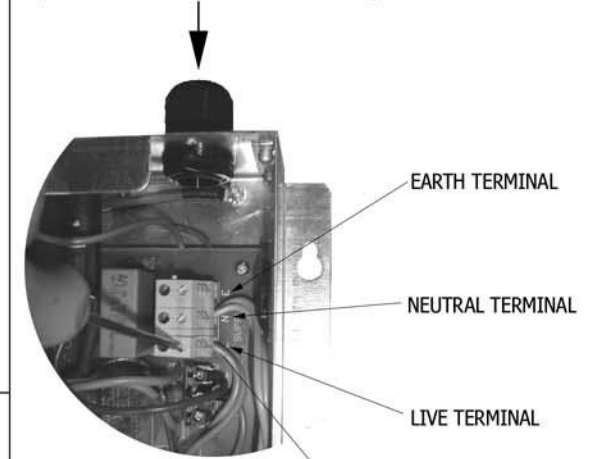
**REAR ISOMETRIC**  
ABOVE HOT CUPBOARD  
(OPERATOR SIDE)

## \* D) FOR MODELS ABOVE 3kW

### INCOMING ELECTRICAL SUPPLY DETAILS

Model Ref.	Current	Voltage	Power
KHP4PS + KAS4PS	20A	230V	3.8kW
KHP5PS + KAS5PS	32A	230V	4.8kW

INCOMING ELECTRICAL SUPPLY  
(SEE TABLE ABOVE FOR SUPPLY DETAILS)



**CLOSE-UP OF INCOMING WIRING DETAIL**



**INSIDE LAYOUT OF CONTROL BOX**