

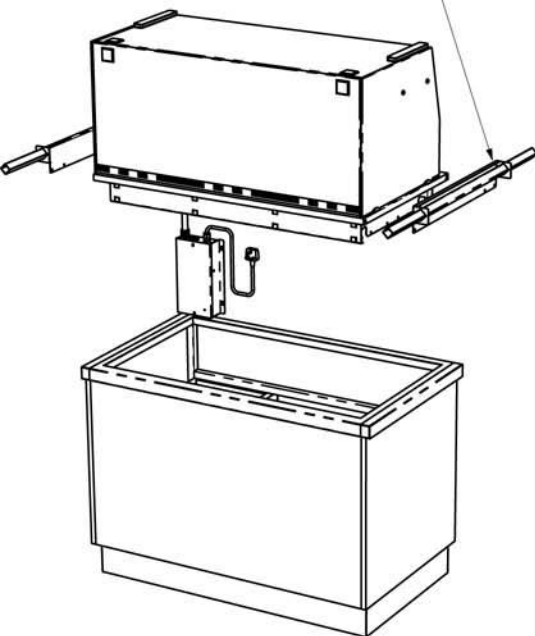
ASSISTED SERVICE CERAN GLASS HOTPLATE - FITTING INSTRUCTIONS



A) WORKTOP CUT-OUT

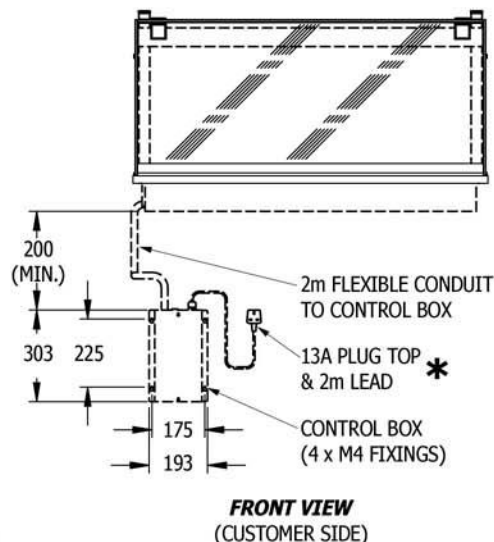
Model Ref.	Worktop Cut Out Size (mm)		Model Weight (in Kg)
	Length	Width	
KHP2 + KAS2	795	650	65
KHP3 + KAS3	1145	650	76
KHP4 + KAS4	1495	650	87
KHP5 + KAS5	1845	650	98
KHP6 + KAS6	2195	650	109

FIX LIFTING BRACKETS TO FRAME END FLANGES USING SCREWS ALREADY IN FLANGES, THEN LOCATE LIFTING BARS INTO SQUARE HOLES.



FRONT ISOMETRIC (CUSTOMER SIDE)

B) LOCATING OF CONTROL BOX

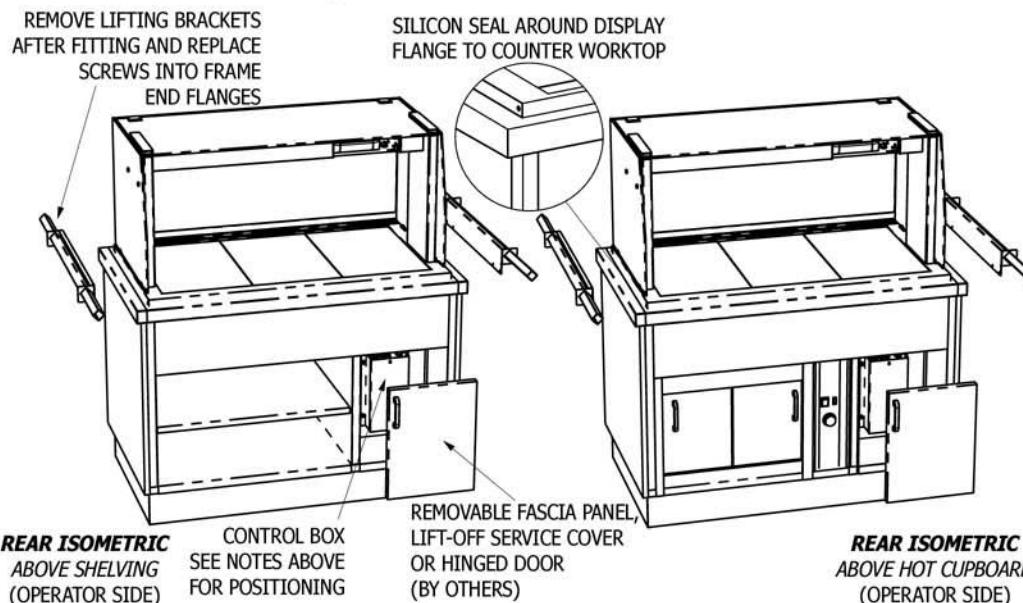


FRONT VIEW (CUSTOMER SIDE)

Recommended Control Box Positioning
Site the control box preferably to an upright surface, in an accessible service void, adjacent to or below the display unit (minimum clearance below underside of display unit = 200mm).

Incorrect Control Box Positioning
The control box must not be located
1) directly to the underside of the display unit,
2) above a hot cupboard or,
3) where ambient temperature is above 40°C,
4) where likely to allow ingress of water i.e. wet floor areas.

C) FITTING INTO COUNTER WORKTOP



REAR ISOMETRIC ABOVE SHELVING (OPERATOR SIDE)

CONTROL BOX SEE NOTES ABOVE FOR POSITIONING

REMOVABLE FASCIA PANEL, LIFT-OFF SERVICE COVER OR HINGED DOOR (BY OTHERS)

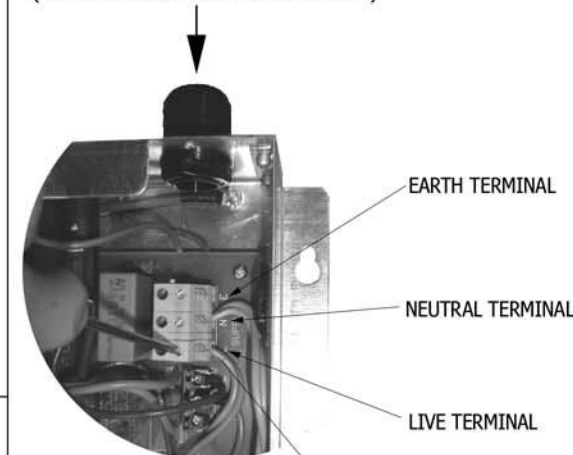
REAR ISOMETRIC ABOVE HOT CUPBOARD (OPERATOR SIDE)

* D) FOR MODELS ABOVE 3kW

INCOMING ELECTRICAL SUPPLY DETAILS

Model Ref.	Current	Voltage	Power
KHP5 + KAS5	16A	230V	3.3kW
KHP6 + KAS6	20A	230V	3.9kW

INCOMING ELECTRICAL SUPPLY (SEE TABLE ABOVE FOR SUPPLY DETAILS)



CLOSE-UP OF INCOMING WIRING DETAIL



INSIDE LAYOUT OF CONTROL BOX

