

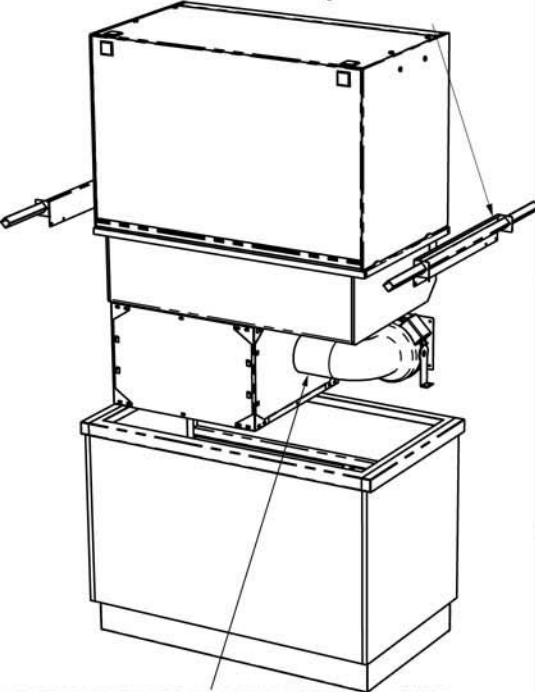
General Installation Considerations

- 1) Area in which display is to be sited must have a minimum room volume not less than 109 cu m (KMDR2ASHT & KMDR3ASHT), 122 cu m (KMDR4ASHT) or 132 cu m (KMDR5ASHT).
- 2) Install over a sealed floor or ventilated floor void.
- 3) Do not site the display within 2m of ceiling mounted air conditioning grilles.
- 4) Do not site the display beneath a high level of direct sunlight.
- 5) Display will operate in a 24 hour environment.
- 6) Access to maintain condensing unit should be made via removable fascia panels or doors to customer and operator side of counter.

A) WORKTOP CUT-OUT

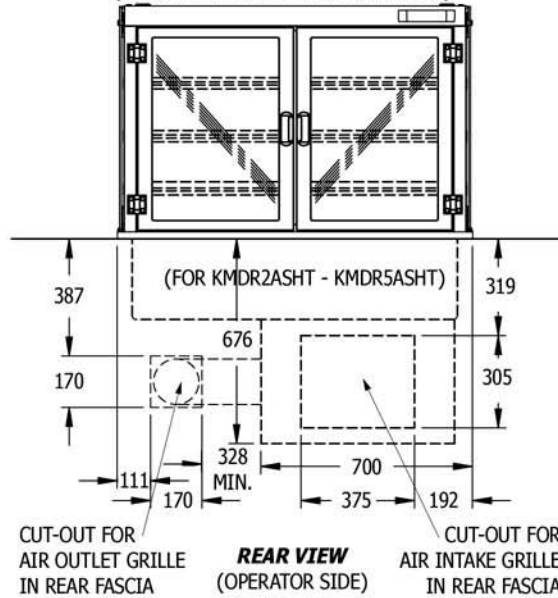
Model Ref.	Worktop Cut Out Size (mm)		Model Weight (in Kg)
	Length	Width	
KMDR2ASHT + AF2	795	650	165
KMDR3ASHT + AF2	1145	650	185
KMDR4ASHT + AF2	1495	650	227
KMDR5ASHT + AF2	1845	650	254

FIX LIFTING BRACKETS TO FRAME END FLANGES USING SCREWS ALREADY IN FLANGES, THEN LOCATE LIFTING BARS INTO SQUARE HOLES.

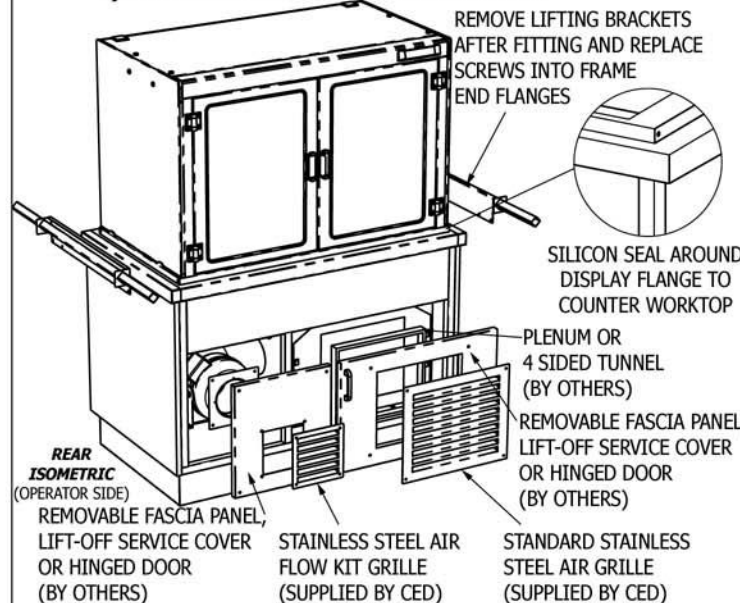


FRONT ISOMETRIC
(CUSTOMER SIDE)

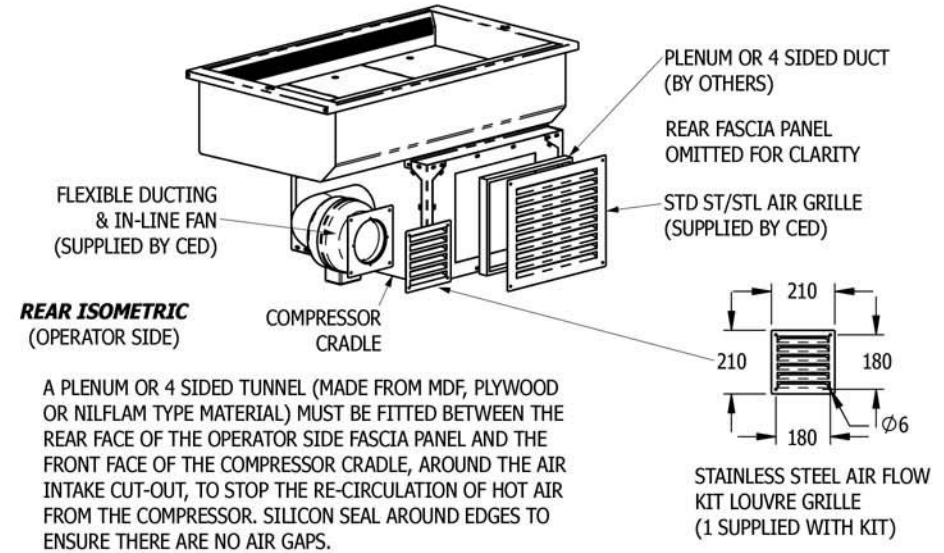
B) AIR INTAKE & OUTLET CUT-OUTS (OPERATOR SIDE FASCIA PANEL)



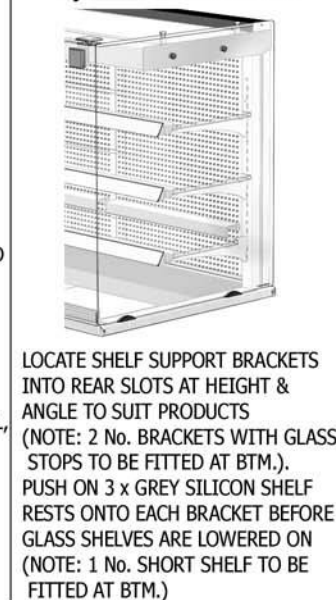
C) FITTING INTO COUNTER WORKTOP



E) AIR INTAKE TUNNEL / PLENUM FITTING (OPERATOR SIDE FASCIA PANEL)



D) FITTING SHELVES



F) FITTING OF LOUVRE GRILLES

