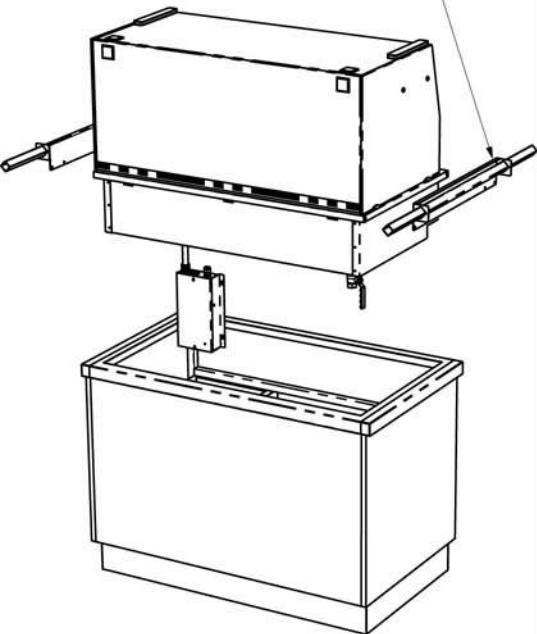


## A) WORKTOP CUT-OUT

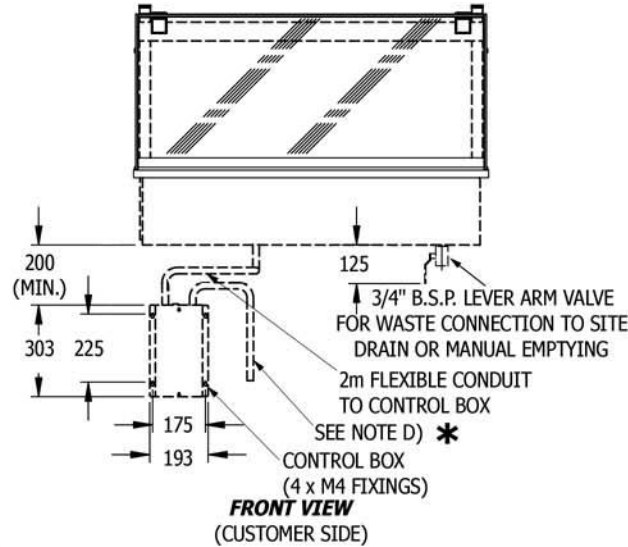
Model Ref.	Worktop Cut Out Size (mm)		Model Weight (in Kg)
	Length	Width	
KHBMW2 + KAS2	795	650	54
KHBMW3 + KAS3	1145	650	69
KHBMW4 + KAS4	1495	650	81
KHBMW5 + KAS5	1845	650	95
KHBMW6 + KAS6	2195	650	109

FIX LIFTING BRACKETS TO FRAME END FLANGES USING SCREWS ALREADY IN FLANGES, THEN LOCATE LIFTING BARS INTO SQUARE HOLES.



**FRONT ISOMETRIC**  
(CUSTOMER SIDE)

## B) LOCATING OF CONTROL BOX

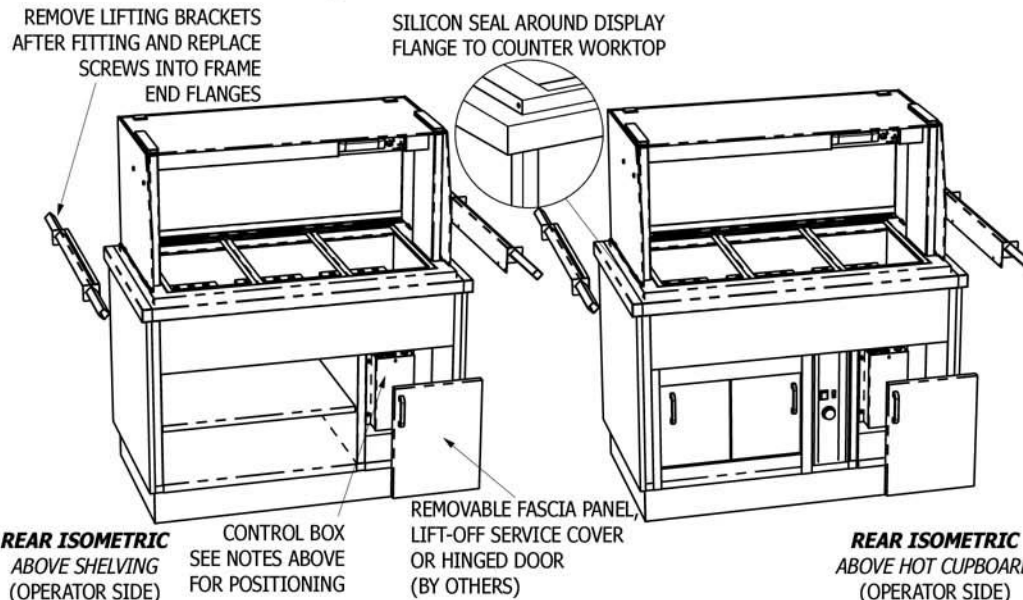


**Recommended Control Box Positioning**  
Site the control box preferably to an upright surface, in an accessible service void, adjacent to or below the display unit (minimum clearance below underside of display unit = 200mm).

**Incorrect Control Box Positioning**  
The control box must not be located

- 1) directly to the underside of the display unit,
- 2) above a hot cupboard or,
- 3) where ambient temperature is above 40°C,
- 4) where likely to allow ingress of water i.e. wet floor areas.

## C) FITTING INTO COUNTER WORKTOP

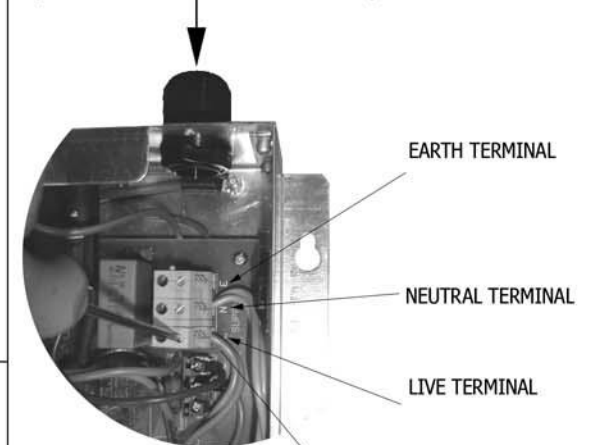


## \* D) FOR MODELS ABOVE 3kW

### INCOMING ELECTRICAL SUPPLY DETAILS

Model Ref.	Current	Voltage	Power
KHBMW3 + KAS3	16A	230V	3.2kW
KHBMW4 + KAS4	20A	230V	4.2kW
KHBMW5 + KAS5	32A	230V	5.3kW
KHBMW6 + KAS6	32A	230V	6.3kW

INCOMING ELECTRICAL SUPPLY  
(SEE TABLE ABOVE FOR SUPPLY DETAILS)



**CLOSE-UP OF INCOMING WIRING DETAIL**



**INSIDE LAYOUT OF CONTROL BOX**