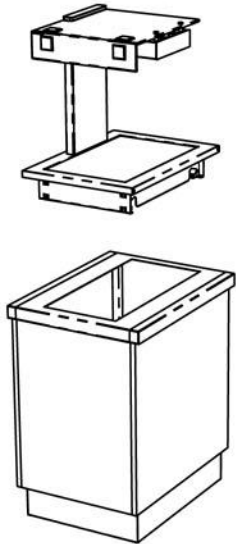


A) WORKTOP CUT-OUT

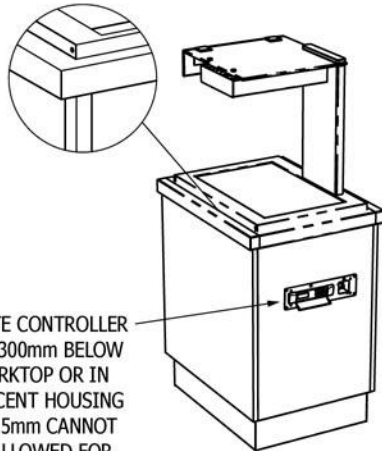
445mm L X 650mm D



FRONT ISOMETRIC
(CUSTOMER SIDE)

B) FITTING INTO COUNTER WORKTOP

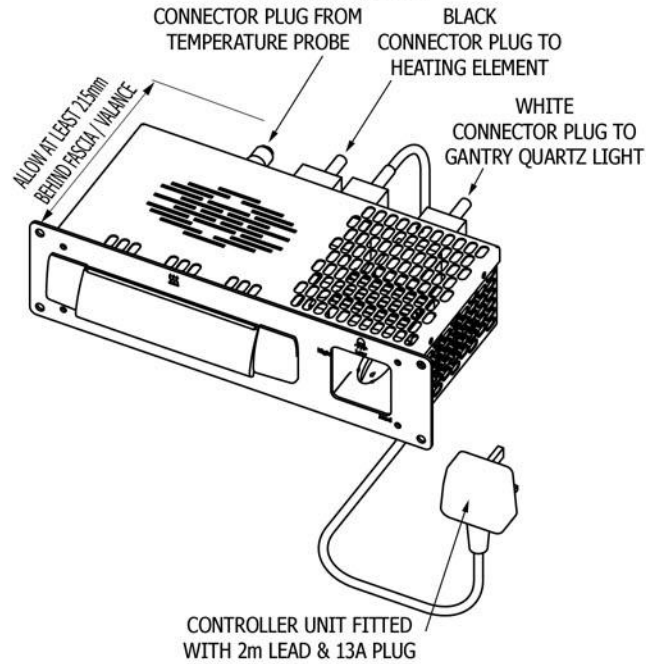
SILICON SEAL AROUND DISPLAY
FLANGE TO COUNTER WORKTOP



LOCATE CONTROLLER
MIN. 300mm BELOW
WORKTOP OR IN
ADJACENT HOUSING
IF 215mm CANNOT
BE ALLOWED FOR
BEHIND CONTROLLER

REAR ISOMETRIC
(OPERATOR SIDE)

C) CONNECTIONS TO CONTROLLER UNIT



D) CONTROLLER UNIT MOUNTING DETAILS

