

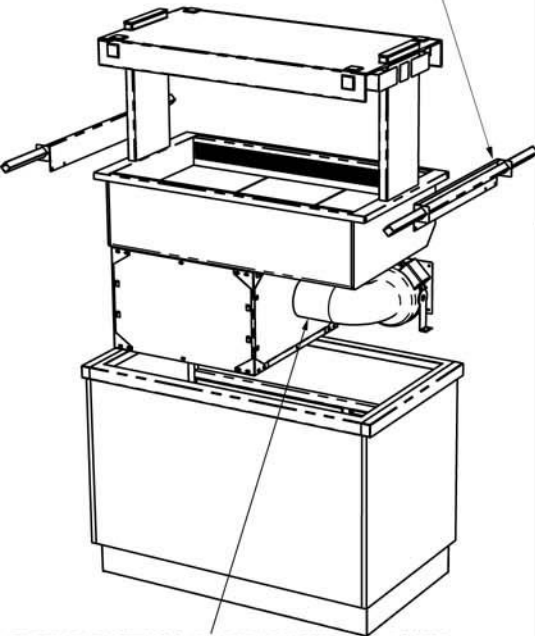
**General Installation Considerations**

- 1) Area in which display is to be sited must have a minimum room volume no less than 66 cu m (KCIW2HT), 82 cu m (KCIW3HT), 95 cu m (KCIW4HT) or 122 cu m (KCIW5&6HT).
- 2) Install over a sealed floor or ventilated floor void.
- 3) Do not site the display within 2m of ceiling mounted air conditioning grilles.
- 4) Do not site the display beneath a high level of direct sunlight.
- 5) Display will operate in a 24 hour environment.
- 6) Access to maintain condensing unit should be made via removable fascia panels or doors to customer and operator side of counter.

**A) WORKTOP CUT-OUT**

Model Ref.	Worktop Cut Out Size (mm)		Model Weight (in Kg)
	Length	Width	
KCIW2HT + AF2	795	650	101
KCIW3HT + AF2	1145	650	121
KCIW4HT + AF2	1495	650	141
KCIW5HT + AF2	1845	650	161
KCIW6HT + AF2	2195	650	167

FIX LIFTING BRACKETS TO FRAME END FLANGES USING SCREWS ALREADY IN FLANGES, THEN LOCATE LIFTING BARS INTO SQUARE HOLES.

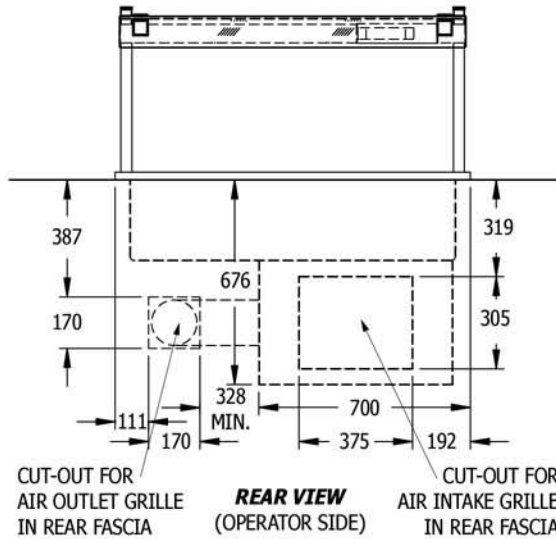


FLEXIBLE DUCTING & IN-LINE FAN SUPPLIED LOOSE. RE-ATTACH FLEXIBLE DUCTING & IN-LINE FAN TO SIDE OF COMPRESSOR CRADLE ONCE UNIT HAS BEEN DROPPED INTO PLACE. ELECTRICALLY CONNECT FAN TO CONTROL BOX WITH "KETTLE PLUG"

**FRONT ISOMETRIC**  
(CUSTOMER SIDE)

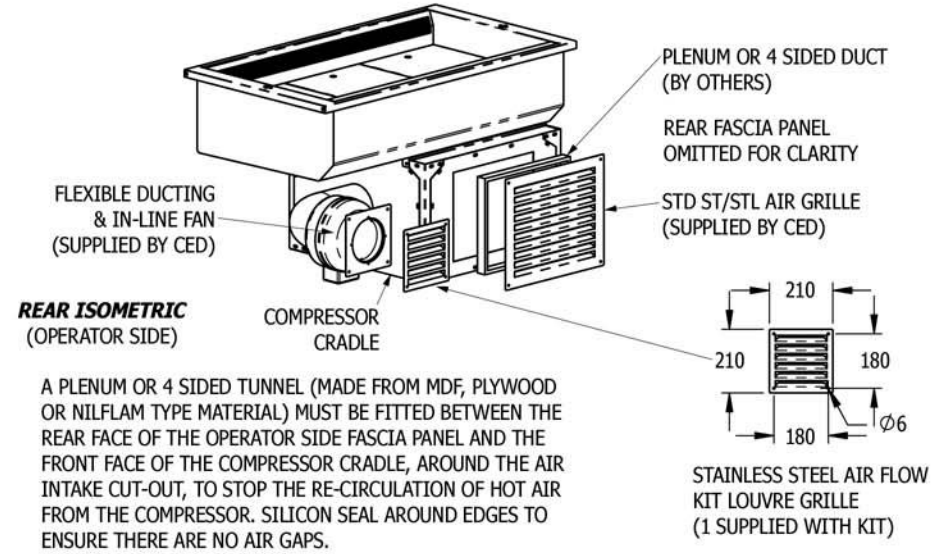
**B) AIR INTAKE & OUTLET CUT-OUTS  
(OPERATOR SIDE FASCIA PANEL)**

FOR KCIW2HT - KCIW6HT

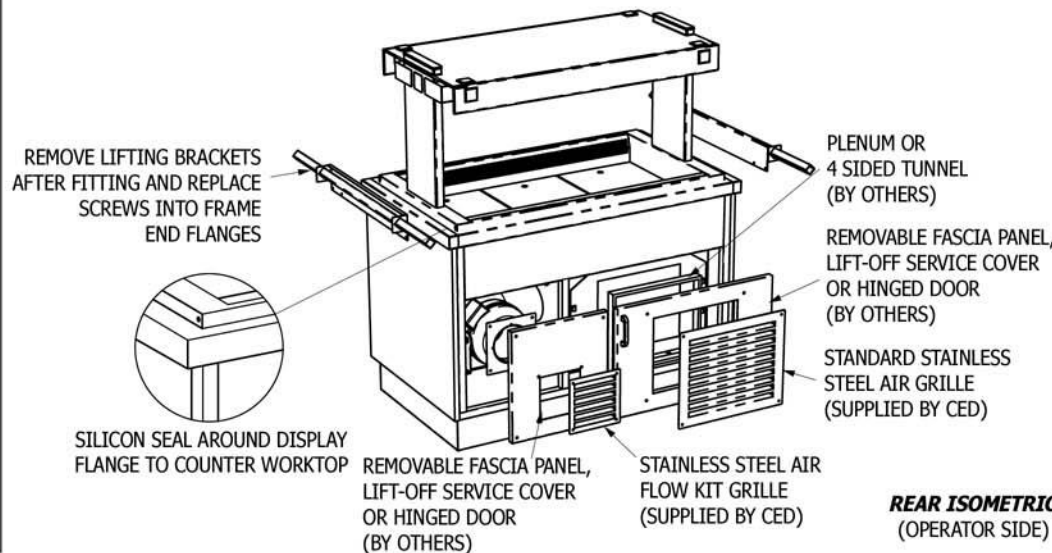


387, 170, 676, 319, 305, 111, 170, 328 MIN., 700, 375, 192

**D) AIR INTAKE TUNNEL / PLENUM FITTING  
(OPERATOR SIDE FASCIA PANEL)**



**C) FITTING INTO COUNTER WORKTOP**



**E) FITTING OF LOUVRE GRILLES**

