

SELF HELP CHILLED MULTI DECK (FIXED BACK) - R290 - FITTING INSTRUCTIONS WITH AIRFLOW KIT AF2 (IN/OUT TO OPERATOR SIDE)

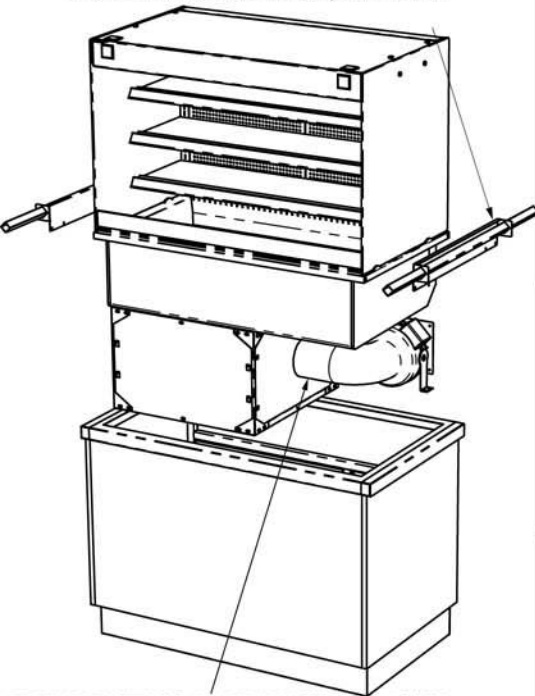
General Installation Considerations

- 1) Area in which display is to be sited must have a minimum room volume no less than 109 cu m (KMDf2HT), 122 cu m (KMDf3HT) or 132 cu m (KMDf4HT & KMDf5HT).
- 2) Install over a sealed floor or ventilated floor void.
- 3) Do not site the display within 2m of ceiling mounted air conditioning grilles.
- 4) Do not site the display beneath a high level of direct sunlight.
- 5) Display will operate in a 24 hour environment.
- 6) Access to maintain condensing unit should be made via removable fascia panels or doors to customer and operator side of counter.

A) WORKTOP CUT-OUT

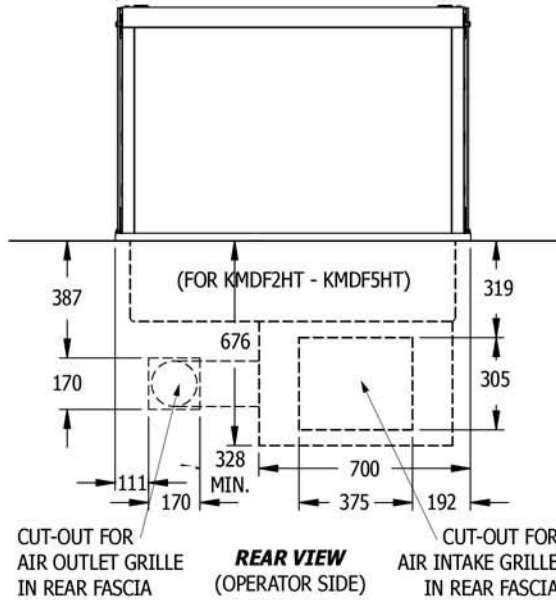
Model Ref.	Worktop Cut Out Size (mm)		Model Weight (in Kg)
	Length	Width	
KMDf2HT + AF2	795	650	143
KMDf3HT + AF2	1145	650	163
KMDf4HT + AF2	1495	650	205
KMDf5HT + AF2	1845	650	243

FIX LIFTING BRACKETS TO FRAME END FLANGES USING SCREWS ALREADY IN FLANGES, THEN LOCATE LIFTING BARS INTO SQUARE HOLES.

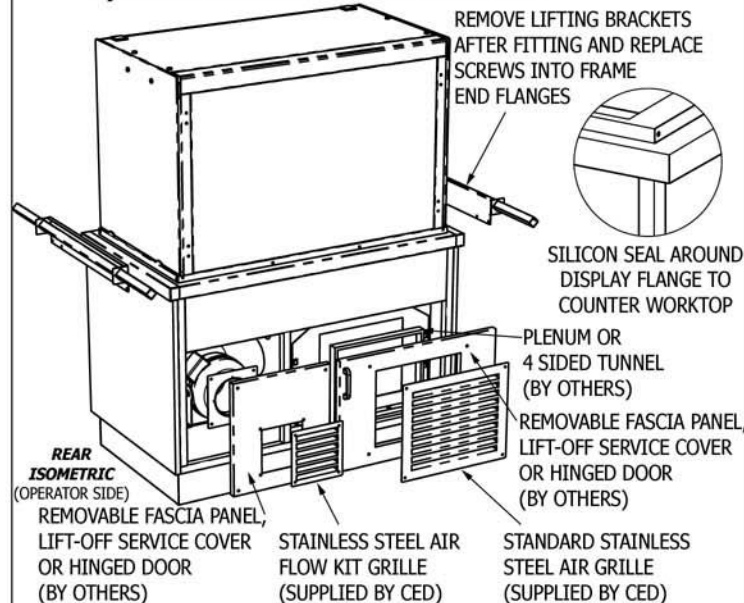


FRONT ISOMETRIC
(CUSTOMER SIDE)

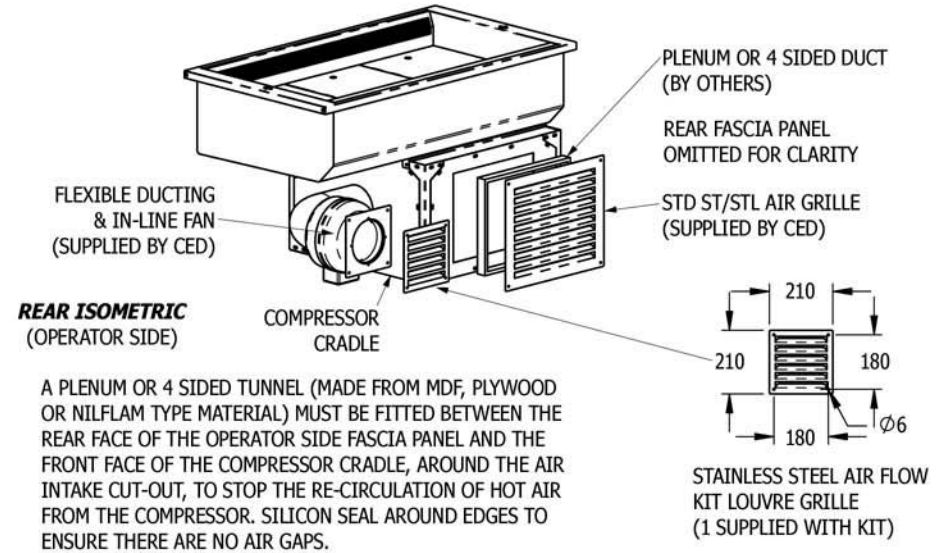
B) AIR INTAKE & OUTLET CUT-OUTS (OPERATOR SIDE FASCIA PANEL)



C) FITTING INTO COUNTER WORKTOP



E) AIR INTAKE TUNNEL / PLENUM FITTING (OPERATOR SIDE FASCIA PANEL)



D) FITTING SHELVES



LOCATE SHELF SUPPORT BRACKETS INTO REAR SLOTS AT HEIGHT & ANGLE TO SUIT PRODUCTS. PUSH ON 3 x GREY SILICON SHELF RESTS ONTO EACH BRACKET BEFORE GLASS SHELVES ARE LOWERED ON.

F) FITTING OF LOUVRE GRILLES

