



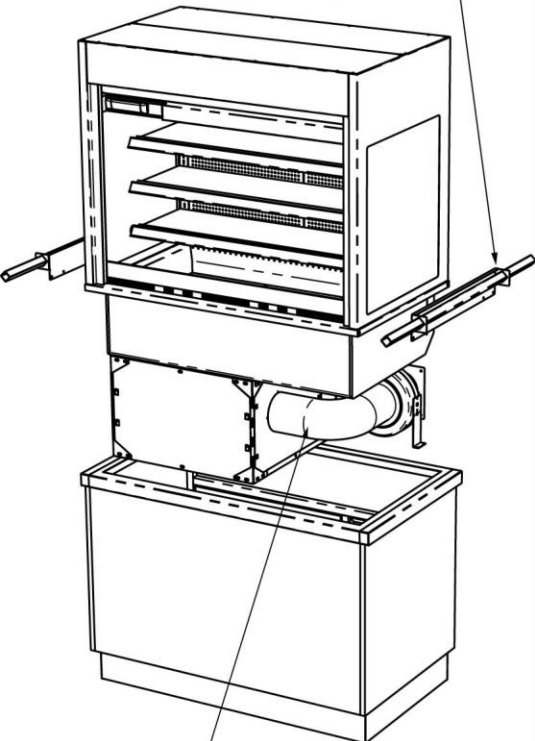
General Installation Considerations

- 1) Area in which display is to be sited must have a minimum room floor area no less than 25 sq m (KMDF2RSHT), 28 sq m (KMDF3RSHT) or 31 sq m (KMDF4RSHT).
- 2) Install over a sealed floor or ventilated floor void.
- 3) Do not site the display within 2m of ceiling mounted air conditioning grilles.
- 4) Do not site the display beneath a high level of direct sunlight.
- 5) Display will operate in a 24 hour environment.
- 6) Access to maintain condensing unit should be made via removable fascia panels or doors to customer and operator side of counter.

A) WORKTOP CUT-OUT

Model Ref.	Worktop Cut Out Size (mm)		Model Weight (in Kg)
	Length	Width	
KMDF2RSHT + AF2	795	650	190
KMDF3RSHT + AF2	1145	650	215
KMDF4RSHT + AF2	1495	650	257

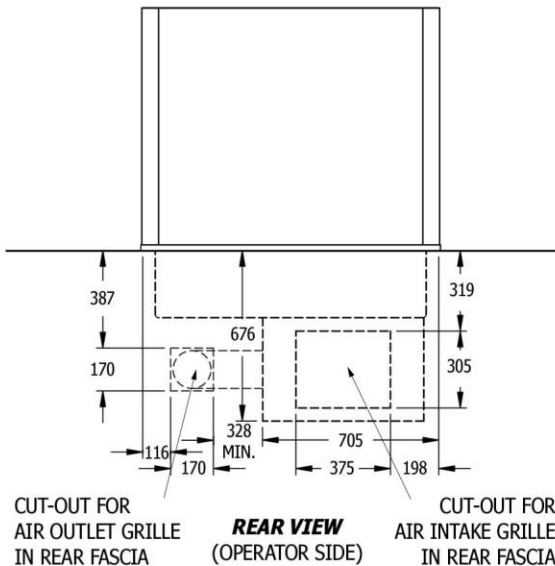
FIX LIFTING BRACKETS TO FRAME END FLANGES USING SCREWS ALREADY IN FLANGES, THEN LOCATE LIFTING BARS INTO SQUARE HOLES.



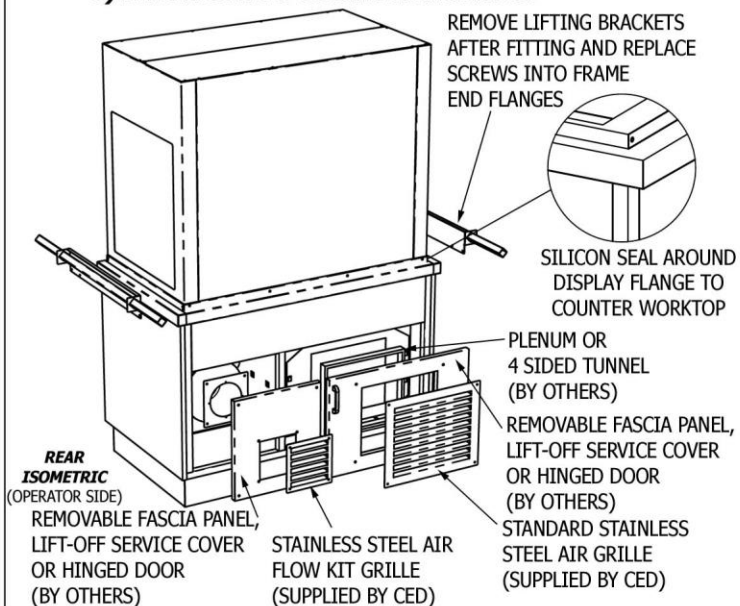
FLEXIBLE DUCTING & IN-LINE FAN SUPPLIED LOOSE. RE-ATTACH FLEXIBLE DUCTING & IN-LINE FAN TO SIDE OF COMPRESSOR CRADLE ONCE UNIT HAS BEEN DROPPED INTO PLACE. ELECTRICALLY CONNECT FAN TO CONTROL BOX WITH "KETTLE PLUG"

FRONT ISOMETRIC
(CUSTOMER SIDE)

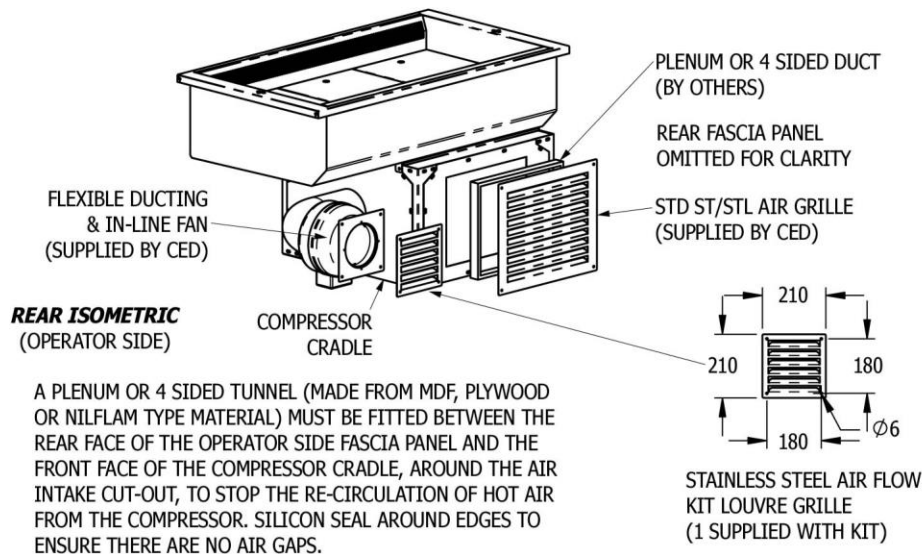
B) AIR INTAKE & OUTLET CUT-OUTS
(OPERATOR SIDE FASCIA PANEL)



C) FITTING INTO COUNTER WORKTOP



E) AIR INTAKE TUNNEL / PLENUM FITTING
(OPERATOR SIDE FASCIA PANEL)



D) FITTING SHELVES



LOCATE SHELF SUPPORT BRACKETS INTO REAR SLOTS AT HEIGHT & ANGLE TO SUIT PRODUCTS. PUSH ON 3 x GREY SILICON SHELF RESTS ONTO EACH BRACKET BEFORE GLASS SHELVES ARE LOWERED ON.

F) FITTING OF LOUVRE GRILLES

