



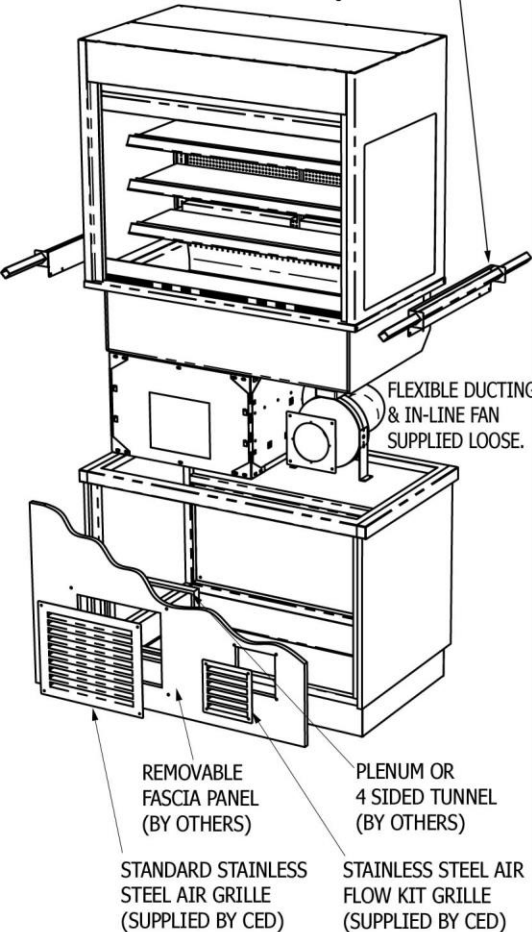
**General Installation Considerations**

- 1) Area in which display is to be sited must have a minimum room floor area not less than 25 sq m (KMDR2RSHT), 28 sq m (KMDR3RSHT) or 31 sq m (KMDR4RSHT).
- 2) Install over a sealed floor or ventilated floor void.
- 3) Do not site the display within 2m of ceiling mounted air conditioning grilles.
- 4) Do not site the display beneath a high level of direct sunlight.
- 5) Display will operate in a 24 hour environment.
- 6) Access to maintain condensing unit should be made via removable fascia panels or doors to customer and operator side of counter.

**A) WORKTOP CUT-OUT**

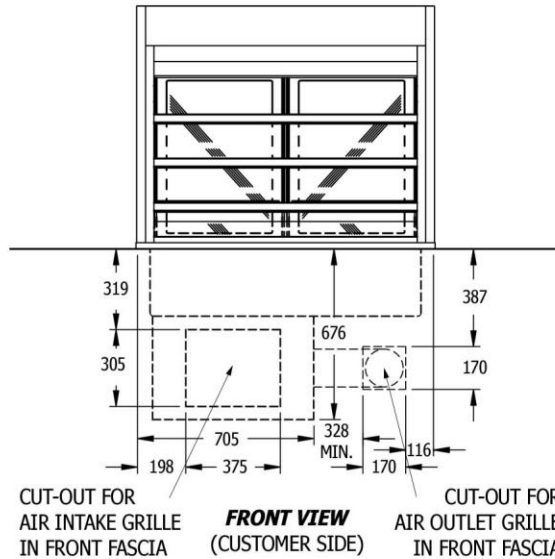
Model Ref.	Worktop Cut Out Size (mm)		Model Weight (in Kg)
	Length	Width	
KMDR2RSHT + AF1	795	650	190
KMDR3RSHT + AF1	1145	650	215
KMDR4RSHT + AF1	1495	650	257

FIX LIFTING BRACKETS TO FRAME END FLANGES USING SCREWS ALREADY IN FLANGES, THEN LOCATE LIFTING BARS INTO SQUARE HOLES.

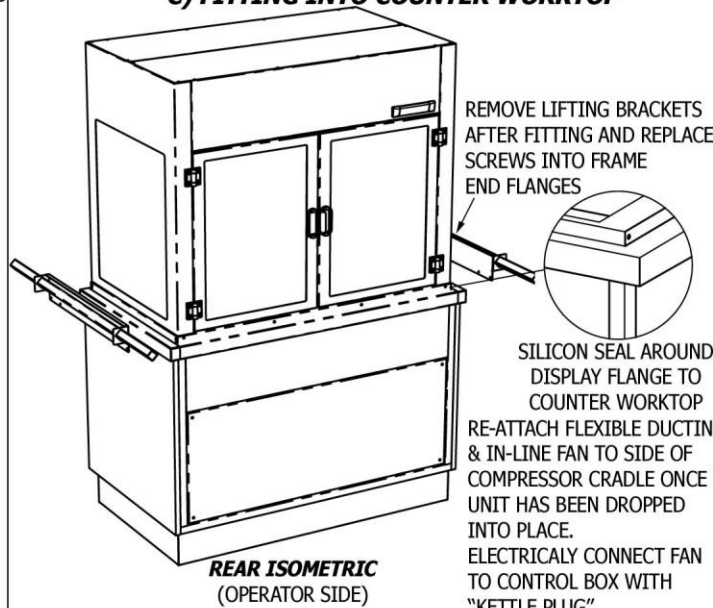


**FRONT ISOMETRIC**  
(CUSTOMER SIDE)

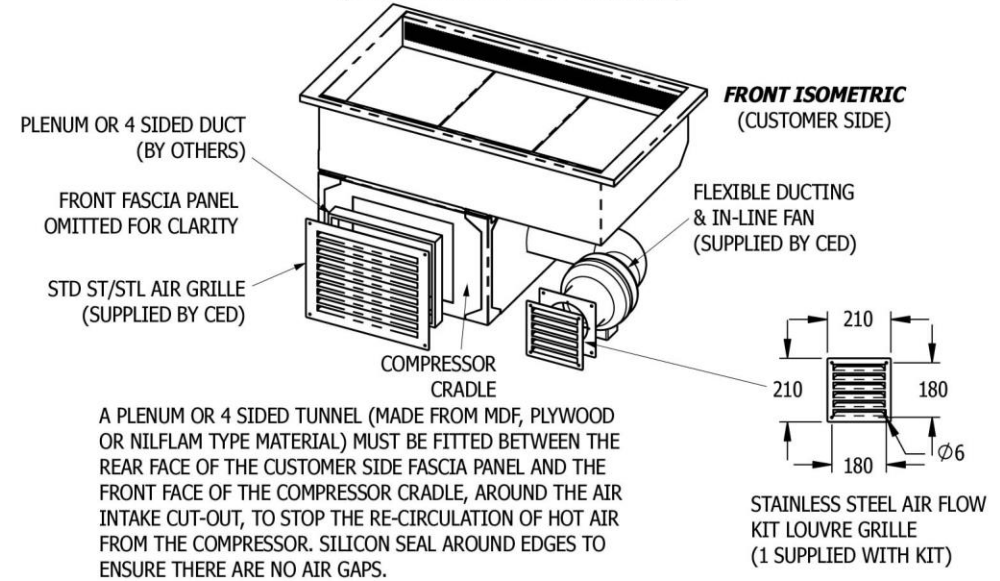
**B) AIR INTAKE & OUTLET CUT-OUTS**  
(CUSTOMER SIDE FASCIA PANEL)



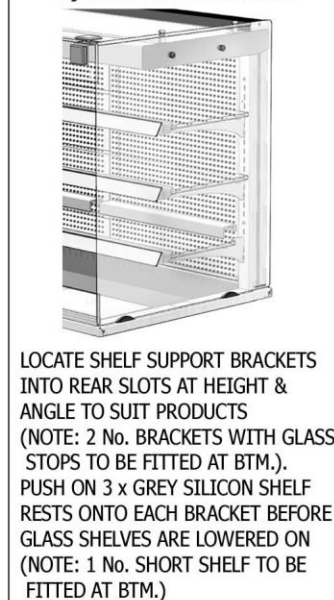
**C) FITTING INTO COUNTER WORKTOP**



**E) AIR INTAKE TUNNEL / PLENUM FITTING**  
(CUSTOMER SIDE FASCIA PANEL)



**D) FITTING SHELVES**



**F) FITTING OF LOUVRE GRILLES**

