

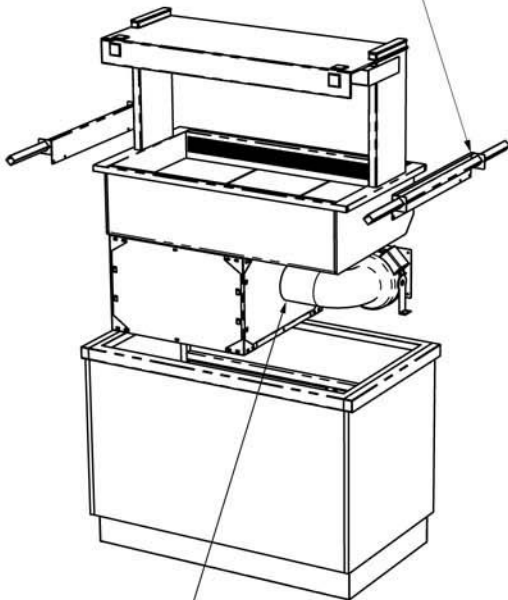
General Installation Considerations

- 1) Area in which display is to be sited must have a minimum room volume no less than 66 cu m (KCW2HT), 82 cu m (KCW3HT), 95 cu m (KCW4HT) or 122 cu m (KCW5&6HT).
- 2) Install over a sealed floor or ventilated floor void.
- 3) Do not site the display within 2m of ceiling mounted air conditioning grilles.
- 4) Do not site the display beneath a high level of direct sunlight.
- 5) Display will operate in a 24 hour environment.
- 6) Access to maintain condensing unit should be made via removable fascia panels or doors to customer and operator side of counter.

A) WORKTOP CUT-OUT

Model Ref.	Worktop Cut Out Size (mm)		Model Weight (in Kg)
	Length	Width	
KCW2HT + AF2	795	650	101
KCW3HT + AF2	1145	650	121
KCW4HT + AF2	1495	650	141
KCW5HT + AF2	1845	650	154
KCW6HT + AF2	2195	650	169

FIX LIFTING BRACKETS TO FRAME END FLANGES USING SCREWS ALREADY IN FLANGES, THEN LOCATE LIFTING BARS INTO SQUARE HOLES.

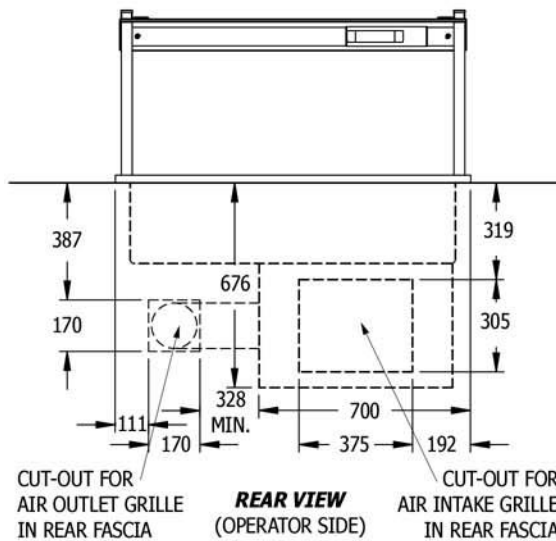


FLEXIBLE DUCTING & IN-LINE FAN SUPPLIED LOOSE. RE-ATTACH FLEXIBLE DUCTING & IN-LINE FAN TO SIDE OF COMPRESSOR CRADLE ONCE UNIT HAS BEEN DROPPED INTO PLACE. ELECTRICALLY CONNECT FAN TO CONTROL BOX WITH "KETTLE PLUG"

FRONT ISOMETRIC
(CUSTOMER SIDE)

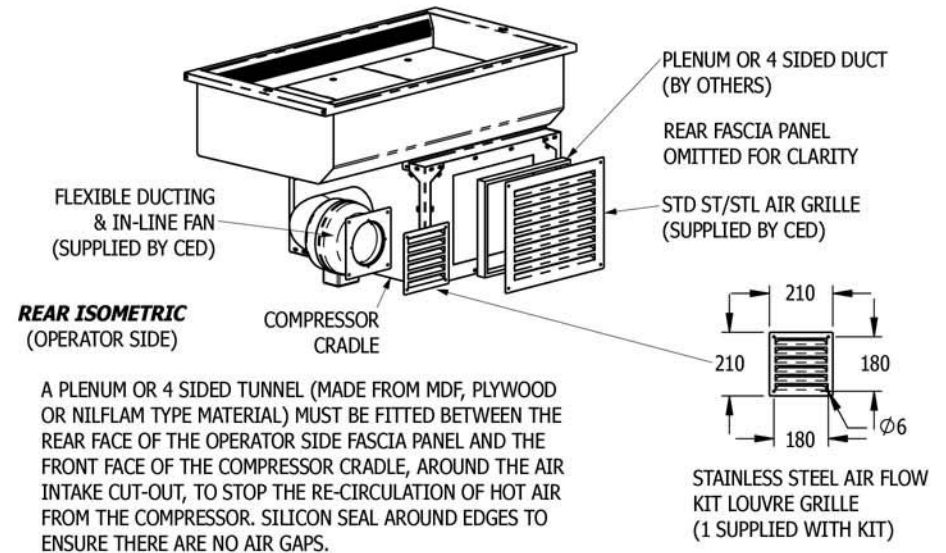
**B) AIR INTAKE & OUTLET CUT-OUTS
(OPERATOR SIDE FASCIA PANEL)**

FOR KCW2HT - KCW6HT

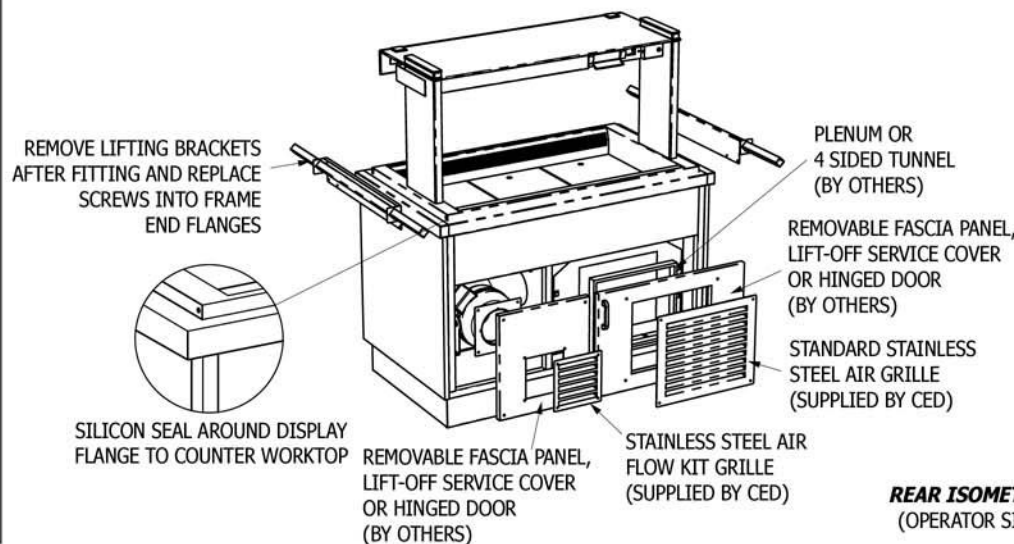


387, 170, 676, 319, 305, 111, 170, 328 MIN., 700, 375, 192

**D) AIR INTAKE TUNNEL / PLENUM FITTING
(OPERATOR SIDE FASCIA PANEL)**



C) FITTING INTO COUNTER WORKTOP



E) FITTING OF LOUVRE GRILLES

