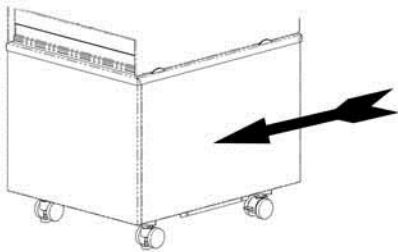


## FREE-STANDING APPLICATION

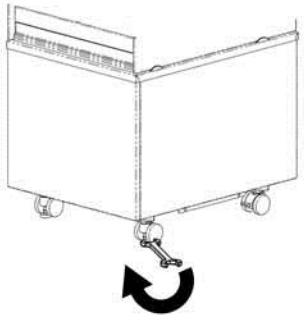
### A) ROLL UNIT INTO POSITION

UNIT SUPPLIED WITH CASTORS



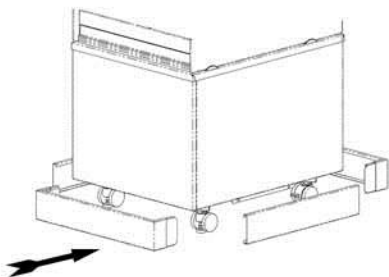
### B) ADJUST UNIT HEIGHT

USING SUPPLIED SPANNER  
(ENSURE THE HALF NUT IS WOUND FULLY UPWARDS)



### C) FIT KICK PLINTH

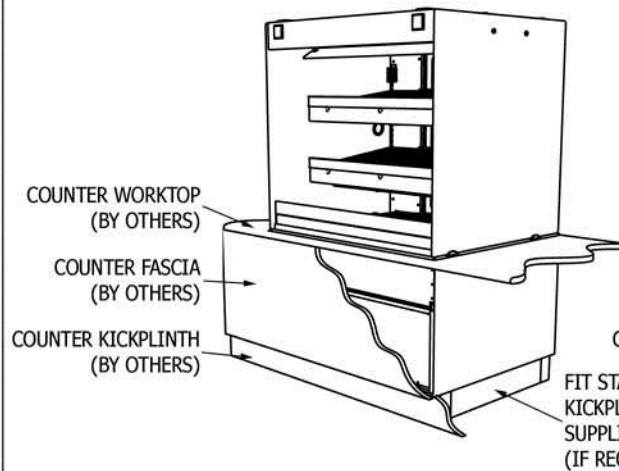
FRONT & REAR LOCATES WITH MAGNETS



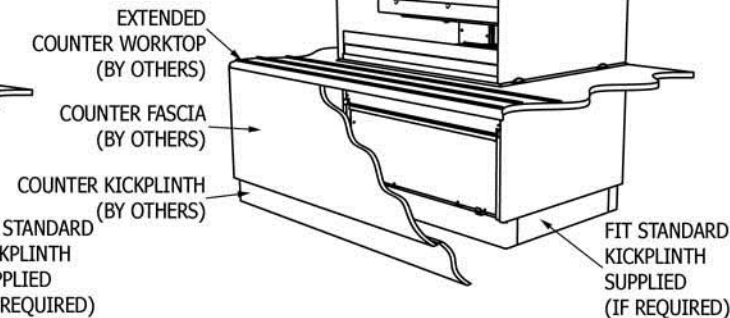
NOTE: KICKPLINTH SUPPLIED AS STANDARD IS SUITABLE FOR LOWEST ADJUSTED UNIT HEIGHT

## COUNTER LOCATED APPLICATION

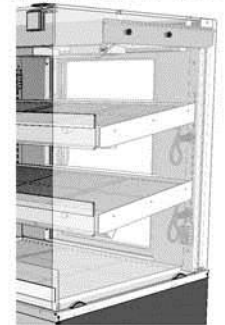
### FLUSH FITTING FASCIA PANEL



### STAND-OFF FASCIA PANEL



## FITTING SHELVES



LOCATE SHELF SUPPORT BRACKETS INTO REAR SLOTS AT HEIGHT TO SUIT PRODUCTS. WIRE SHELF GRIDS MAY BE REMOVED TO GIVE GREATER BASE TEMPERATURE TO DISPLAYED PRODUCTS