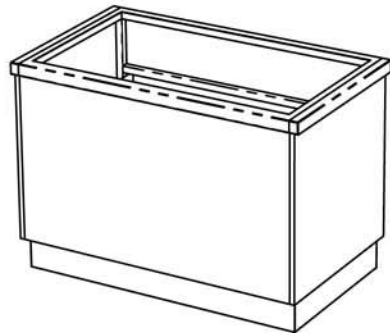
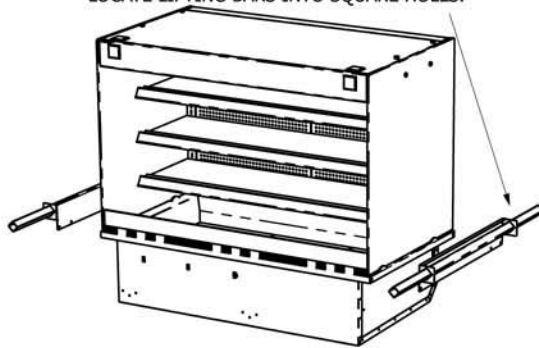


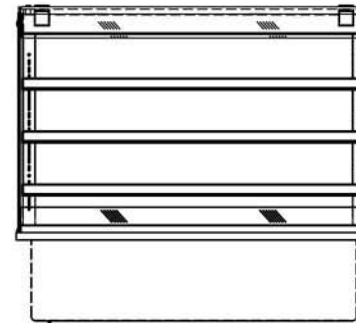
## A) WORKTOP CUT-OUT

Model Ref.	Worktop Cut Out Size (mm)		Model Weight (in Kg)
	Length	Width	
KMDA2FB	795	650	75
KMDA3FB	1145	650	116
KMDA4FB	1495	650	162

FIX LIFTING BRACKETS TO FRAME END FLANGES USING SCREWS ALREADY IN FLANGES, THEN LOCATE LIFTING BARS INTO SQUARE HOLES.



**FRONT ISOMETRIC**  
(CUSTOMER SIDE)

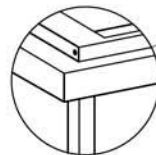


13A PLUG TOP  
& 2m LEAD

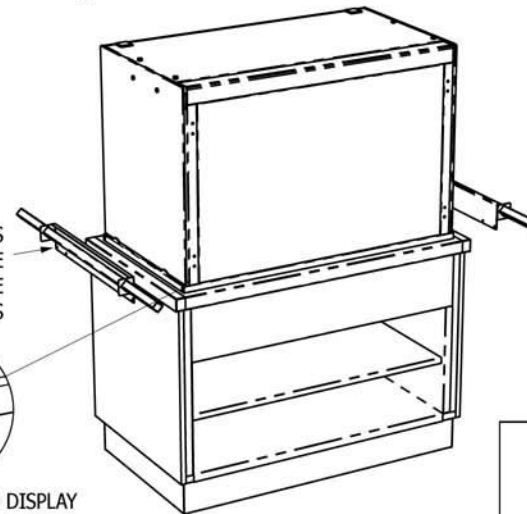
**FRONT VIEW**  
(CUSTOMER SIDE)

## B) FITTING INTO COUNTER WORKTOP

REMOVE LIFTING BRACKETS AFTER FITTING AND REPLACE SCREWS INTO FRAME END FLANGES



SILICON SEAL AROUND DISPLAY FLANGE TO COUNTER WORKTOP



**REAR ISOMETRIC**  
(OPERATOR SIDE)