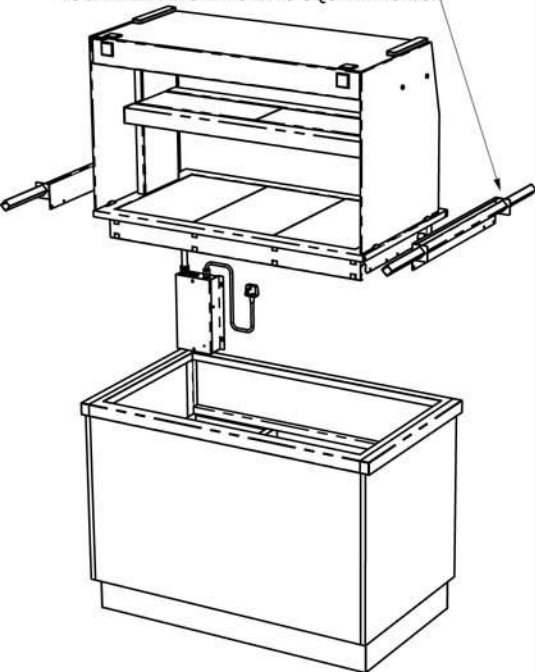


A) WORKTOP CUT-OUT

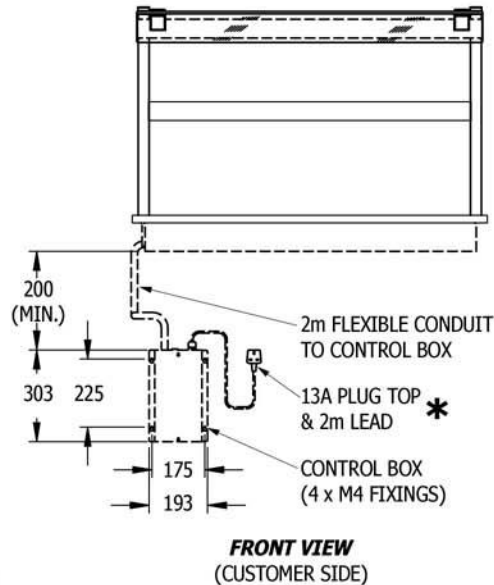
Model Ref.	Worktop Cut Out Size (mm)		Model Weight (in Kg)
	Length	Width	
KHP2PS	795	650	65
KHP3PS	1145	650	76
KHP4PS	1495	650	87
KHP5PS	1845	650	98

FIX LIFTING BRACKETS TO FRAME END FLANGES USING SCREWS ALREADY IN FLANGES, THEN LOCATE LIFTING BARS INTO SQUARE HOLES.



FRONT ISOMETRIC
(CUSTOMER SIDE)

B) LOCATING OF CONTROL BOX



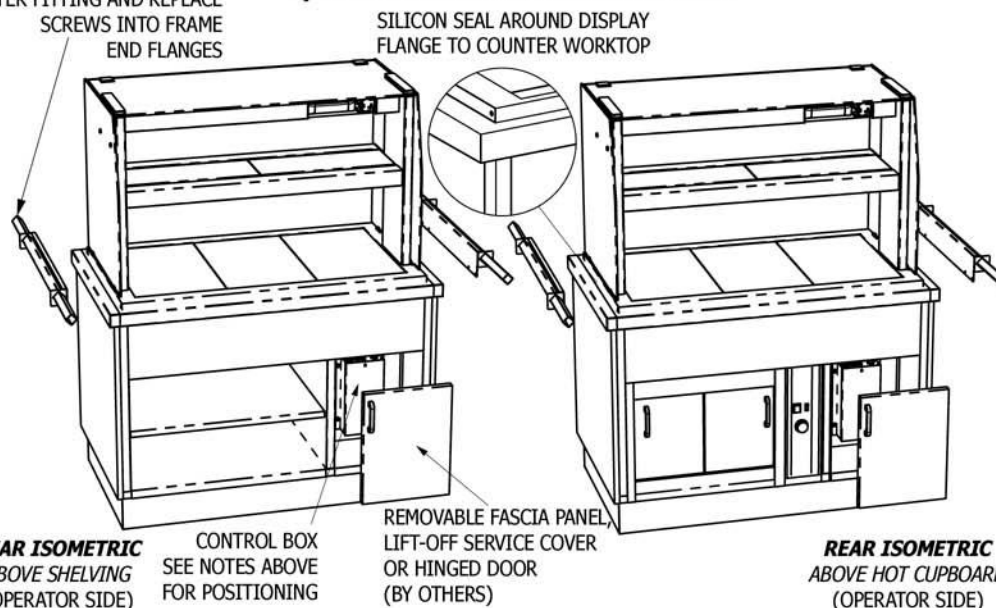
Recommended Control Box Positioning
Site the control box preferably to an upright surface, in an accessible service void, adjacent to or below the display unit (minimum clearance below underside of display unit = 200mm).

Incorrect Control Box Positioning
The control box must not be located

- 1) directly to the underside of the display unit,
- 2) above a hot cupboard or,
- 3) where ambient temperature is above 40°C,
- 4) where likely to allow ingress of water i.e. wet floor areas.

REMOVE LIFTING BRACKETS AFTER FITTING AND REPLACE SCREWS INTO FRAME END FLANGES

C) FITTING INTO COUNTER WORKTOP



REAR ISOMETRIC
ABOVE SHELIVING
(OPERATOR SIDE)

CONTROL BOX
SEE NOTES ABOVE
FOR POSITIONING

REMOVABLE FASCIA PANEL,
LIFT-OFF SERVICE COVER
OR HINGED DOOR
(BY OTHERS)

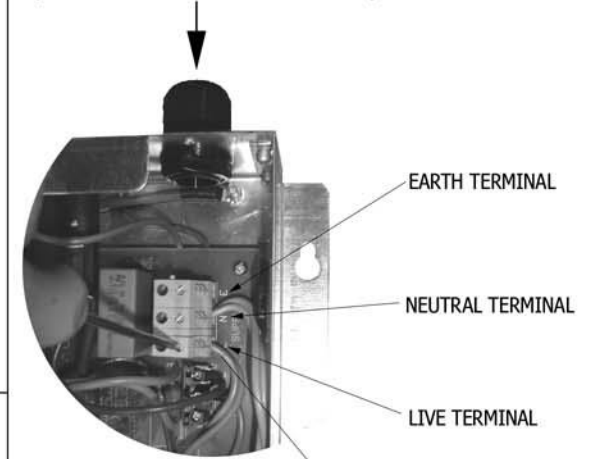
REAR ISOMETRIC
ABOVE HOT CUPBOARD
(OPERATOR SIDE)

* D) FOR MODELS ABOVE 3kW

INCOMING ELECTRICAL SUPPLY DETAILS

Model Ref.	Current	Voltage	Power
KHP4PS	20A	230V	3.8kW
KHP5PS	32A	230V	4.8kW

INCOMING ELECTRICAL SUPPLY
(SEE TABLE ABOVE FOR SUPPLY DETAILS)



CLOSE-UP OF INCOMING WIRING DETAIL



INSIDE LAYOUT OF CONTROL BOX